

SAFETY **LIGHTING**

**SELF-CONTAINED
SUPPLY
LUMINAIRES**

LUMINAIRES FOR

**DECENTRAL
SUPPLY**

AND

**CENTRAL
SUPPLY**

LIGHT IS SAFETY

True to this motto, **Beghelli PRÄZISA** has been a competent partner for specialist planners, expert companies, industries, trade and commerce worldwide for more than three decades. We develop, manufacture and distribute **safety lighting** as well as **interior and exterior lighting**.

Important criteria for the design of our products are the **preservation of resources** and the **protection of the environment**. This is done through products with **high efficiency** and simple operation. This reduces the

costs of assembly, installation and operation – the latter through lower **energy consumption** and **longer service life**. Our standards for general and emergency lighting are very high.

We are constantly developing new functions and designs of innovative lighting concepts. This way we do not just provide safety through lighting, but also stage buildings and public spaces.



TRIED & TESTED

For lighting control and monitoring, we have been relying on wireless communication pursuant to the Zigbee® standard for more than 15 years. This allows optimal management of indoor and outdoor lighting. The standard is particularly advantageous in the construction and renovation of new lighting and the renovation of existing lighting.



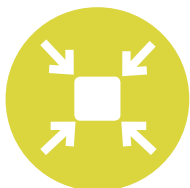
SUSTAINABLE

Our SmartLighting and Sicuro safety lighting concepts are extremely efficient. Lighting power is reduced by up to 75%, lighting volume by up to 40%. Installation and maintenance are easy. This saves energy and protects the environment.



INNOVATIVE

The Titanate Emergency Lighting series is powered by lithium-titanate batteries. The service life is 10 years and is therefore cheaper and safer than the central battery supply. The system can even be operated without any problems in extreme temperatures ranging from -20 °C to +50 °C.



COMPACT

Tula combines escape signs and emergency lighting and replaces the separate escape signs and emergency lighting at exits, emergency exits and escape routes. Tula is available as a wall and ceiling extension as well as for pendular suspension and can be flexibly integrated into any architecture.



VARIABLE

MultiLens is a flat and lightweight downlight for wall and ceiling mounting. The light distribution is variable through the multi-focus lens module. Light colours can be individually controlled with the multicolour LED driver.


Variants with self-contained supply

Page 8 – 9

Titanium Emergency Lighting
Innovative self-contained supply

Page 10 – 11

Decentral and central testing devices

Page 12 – 13

Variants for decentral and central supply

Page 14 – 15

Sicuro Emergency Lighting
Luminaire for innovative supply

Page 16 – 17

**TESTING
DEVICES**
Logica FM

Page 18 – 21

Logica S and Logica Z

Page 22 – 26

Logica Visual

Page 27

**EXIT SIGN
LUMINAIRES**
Pluraluce

Page 28 – 29


Plexi LED

Page 30 – 31


Dispos Evo

Page 32 – 33


Multi-D

Page 34 – 35


Alu-K

Page 36 – 37


Kubus

Page 38 – 39


Kubus65











Page 40 – 41


Acciaio













Page 42 – 43


**Mounting options / Viewing distance / Light distance /
Protection / Impact resistance / Degree of protection /
Special functions**























EXIT SIGN LUMINAIRES

			Mounting options / Viewing distance / Light distance / Protection / Impact resistance / Degree of protection / Special functions
Formula65		Page 44 – 45	 IP65 IK07
Tula		Page 46 – 47	 IP20
Maxima		Page 48 – 49	 IP54
Aestetica		Page 50 – 51	 IP40
Quader		Page 52 – 53	 IP42

SAFETY LUMINAIRES

Pluraluce surface		Page 54 – 55	 IP41 IP42 IK07
Pluraluce recessed		Page 56 – 57	 IP40 IP42 IK07
Pluraluce65 surface		Page 58 – 59	 IP65 IK09 V2A
Pluraluce65 recessed		Page 60 – 61	 IP65 IK09 V2A
Alu-K		Page 62 – 63	 IP40
Kubus		Page 64 – 65	 IP40

SAFETY
LUMINAIRES

		Mounting options / Viewing distance / Light distance / Protection / Impact resistance / Degree of protection / Special functions
Kubus65 	Page 66 – 67	 <3.5 m> H 22 m IP65 IK09 V2A
Acciaio 	Page 68 – 69	 <7.5 m> H 20 m IP65 IK09 Ex UV Oil
Acciaio High 	Page 70 – 71	 <15 m> H 75 m IP66 IK09 UV Oil
Formula65 	Page 72 – 73	 <5 m> H 26 m IP65 IK07
Logica 	Page 74 – 75	 <5 m> H 33 m IP65 IK08
Aestetica 	Page 76 – 77	 <3.5 m> H 11 m IP40
Lumax 	Page 78 – 79	 <3.5 m> H 13 m IP41
Lumax65 	Page 80 – 81	 <3.5 m> H 13 m IP65 IK10
S-In 	Page 82 – 83	 <3.5 m> H 13 m IP65 IK09
Triangle 	Page 84 – 85	 <3.5 m> H 13 m IP66 IK07 V2A
F30 / F50 / F70 	Page 86 – 87	 <3.5 m> H 13 m IP66 IK09 UV Oil

Mounting options / Viewing distance / Light distance / Protection / Impact resistance / Degree of protection / Special functions

COMBINED EXIT SIGN AND SAFETY LUMINAIRES

Tula



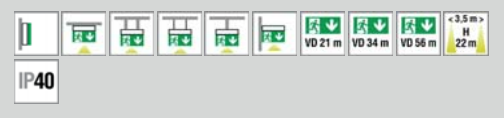
Page 88 – 89



Kubus



Page 90 – 91

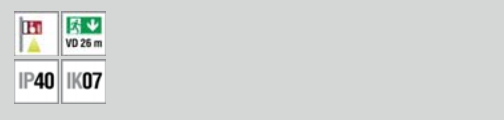


SAFETY SIGN LUMINAIRES

Sign LED



Page 92 – 93

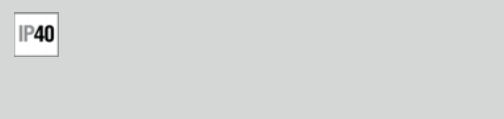


MOBILE SAFETY LUMINAIRES

Scout LED



Page 94 – 95

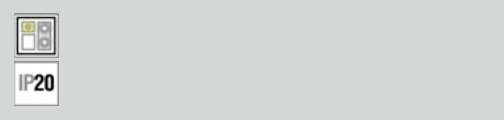


SUPPLY MODULES AND SUPPLY DEVICES

Pluraluce luminaire module



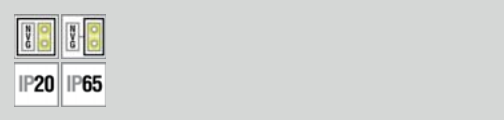
Page 96 – 97



Inverter LED



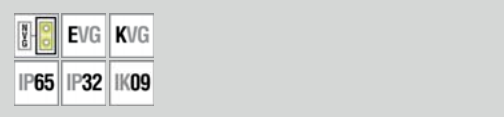
Page 98 – 99



NVG



Page 100 – 101



Order codes

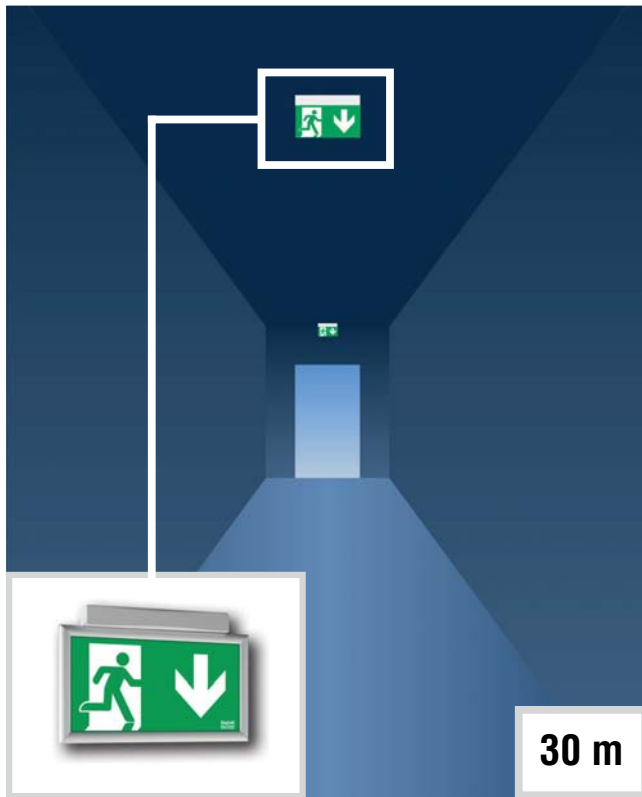
Page 102 – 107

Index of symbols and icons

Page 108

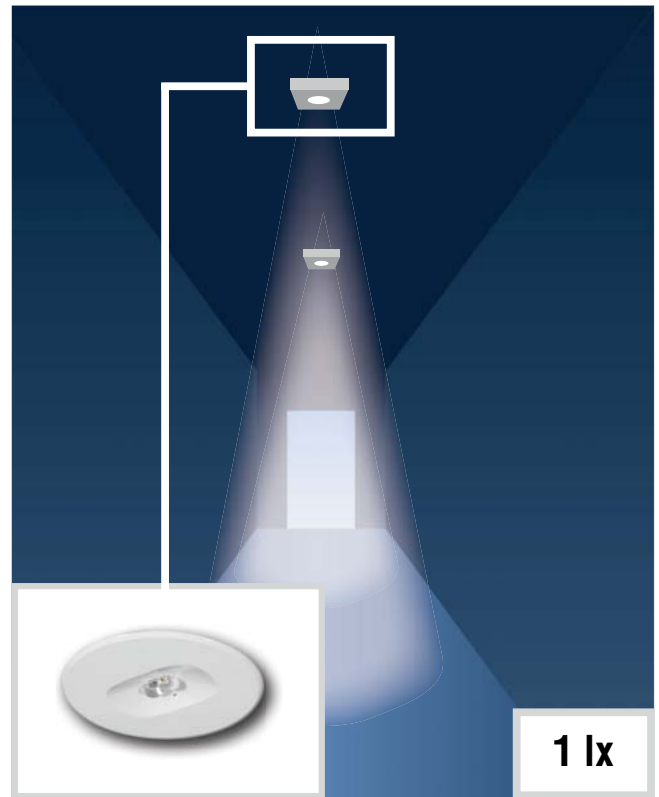
EXIT SIGN LUMINAIRES

for escape route lighting and emergency exits



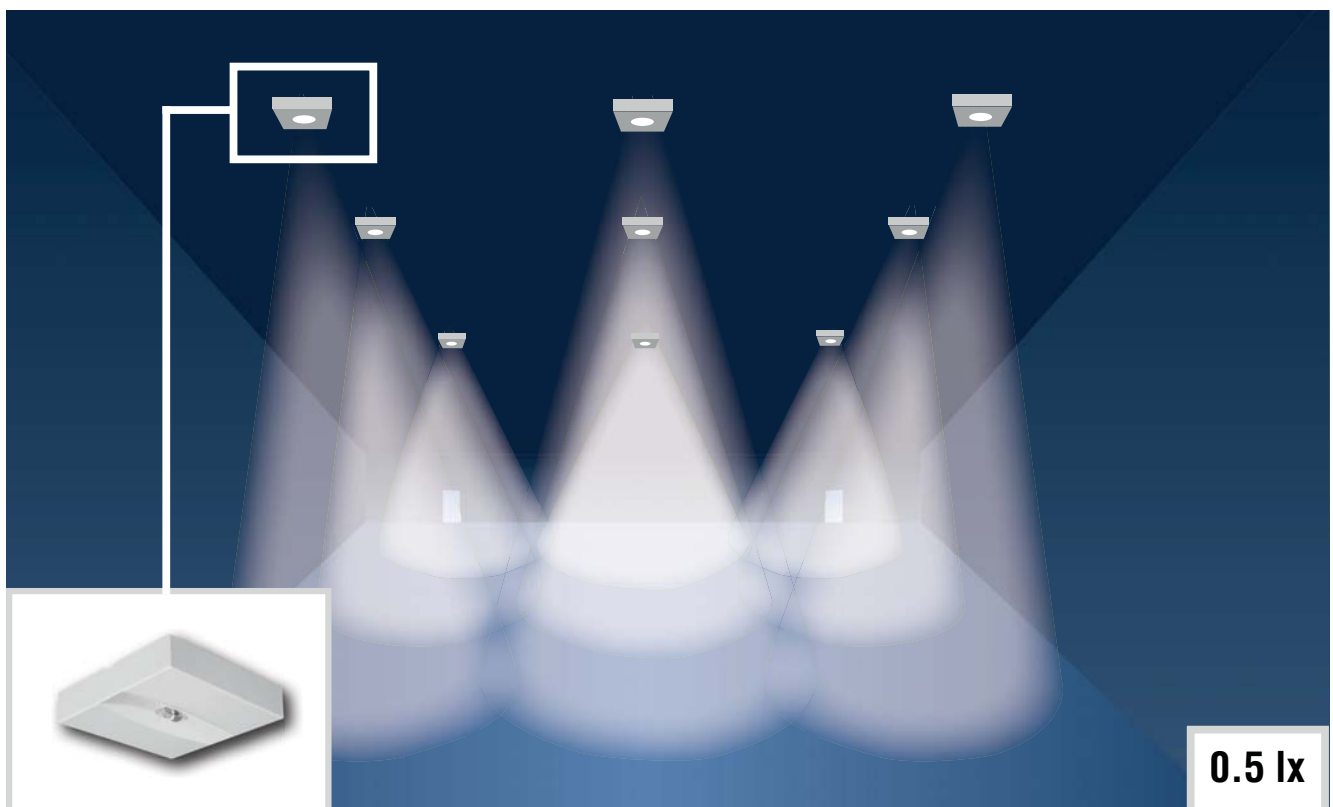
SAFETY LUMINAIRES

for escape routes



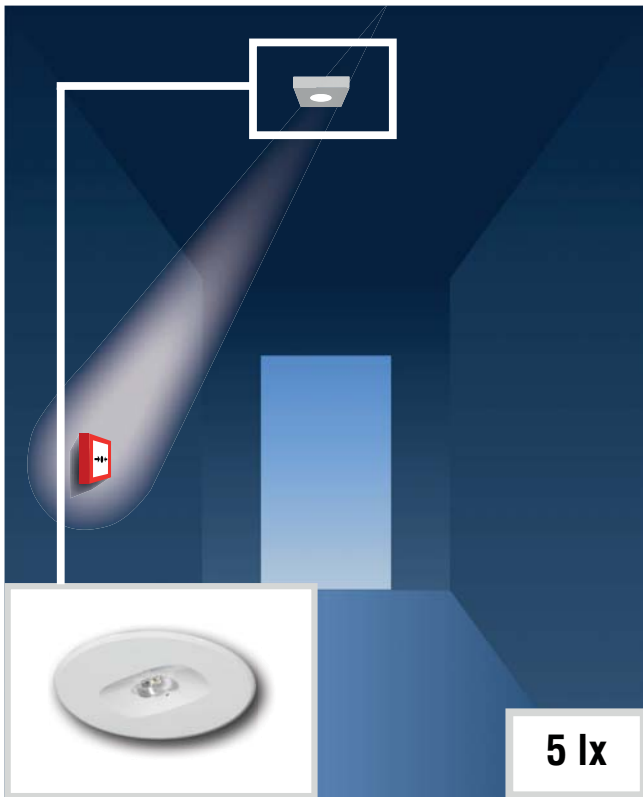
SAFETY LUMINAIRES

for areas



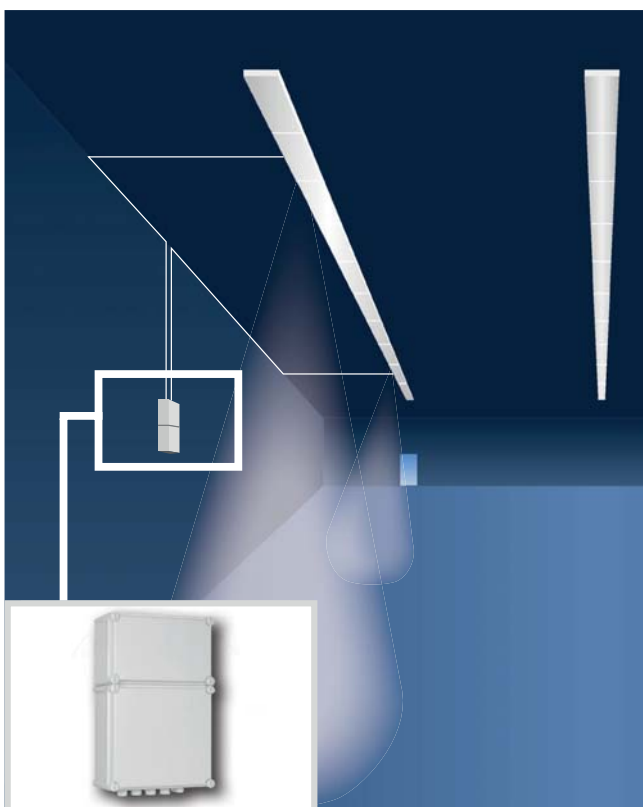
SAFETY LUMINAIRES

for safety devices



SUPPLY DEVICES

for indoor and outdoor luminaires used as safety luminaire



Integration of general lighting in emergency lighting

No reduction of luminous flux for battery powered supply

Suitable for **commercial** and **industrial** halls or gym

Either for **big distance** between supply device and luminaire



**INNOVATIVE SELF-CONTAINED SUPPLY
LITHIUM-ION-TITANIUM-BATTERIES**


**EXTREME BATTERY LIFE
10 YEARS**


**EXTREME LIGHTING TEMPERATURE RANGE
-20 °C TO +50 °C**





EXIT SIGN LUMINAIRES
SAFETY LIGHTING
EMERGENCY LIGHT SUPPLY MODULES
WITH
LITHIUM-ION-TITANIUM-BATTERIES

FUNCTIONS

- 

Programmable operating time
1 h / 3 h / 8 h
- 

Programmable operating mode
maintained mode / non-maintained mode
- 

Integrated testing device
self-test AutoTest
- 

remote test Logica (radio bus / cable bus)



ADVANTAGES OVER CENTRAL

- No battery compartment**
- No additional distributor** (also no function maintenance)
- No additional cables** (also no function maintenance)
- No two lighting circuits**
- No battery maintenance**
- Greater security through decentralisation**

[AUTOTEST] Decentral testing devices as stand-alone-system **integrated** in luminaire or supply device.

SUITABLE FOR SMALL BUILDINGS AND WORK SITES

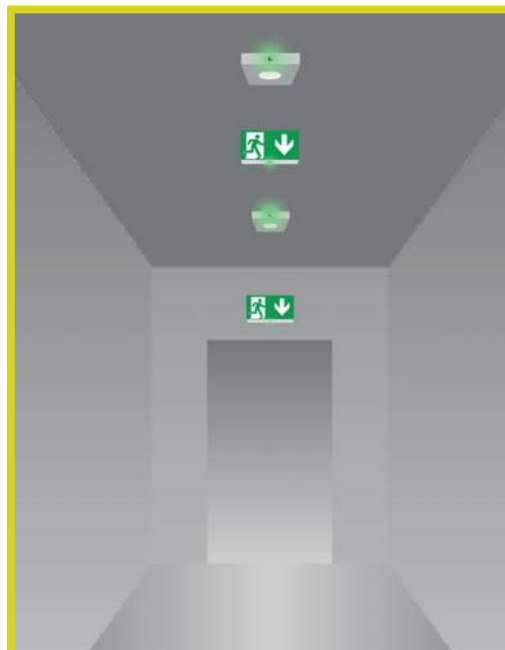
FUNCTIONS

AUTO ✓ Automatic function test

✓
✓
✓ Decentral reports

~~✓~~ Manual log book

~~✓~~ No programmable test parameter





Central testing device as master-slave-system **integrated** in luminaire or supply device **with interface** for **radio bus** (ZigBee®-standard) or **cable bus** (DALI-standard) communication. Optional interface for **remote control** with **building management system**.

SUITABLE FOR BIG BUILDINGS AND WORK SITES

FUNCTIONS


AUTO ✓ Automatic function test

 Central reports


 Automatic log book

 Programmable test parameter

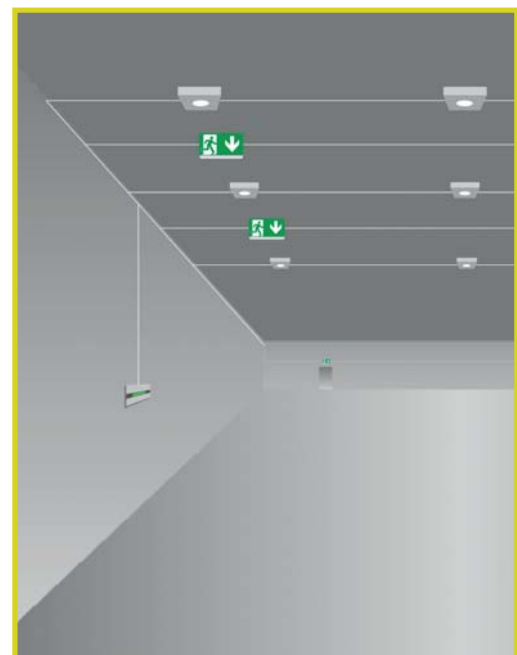
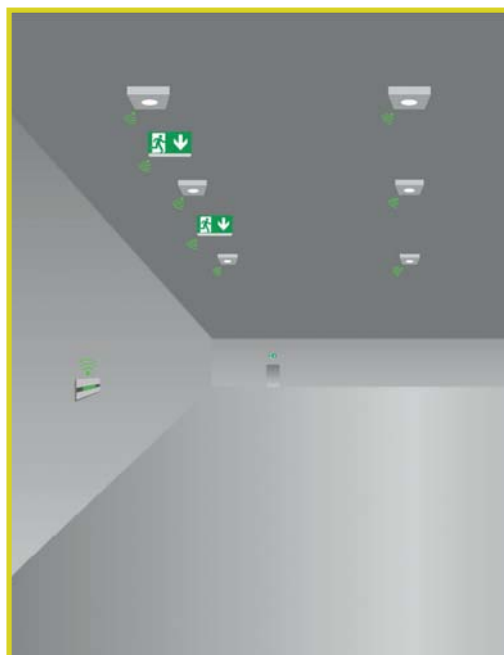
FURTHER FUNCTIONS

 Programmable categories of operation

 Programmable operating time

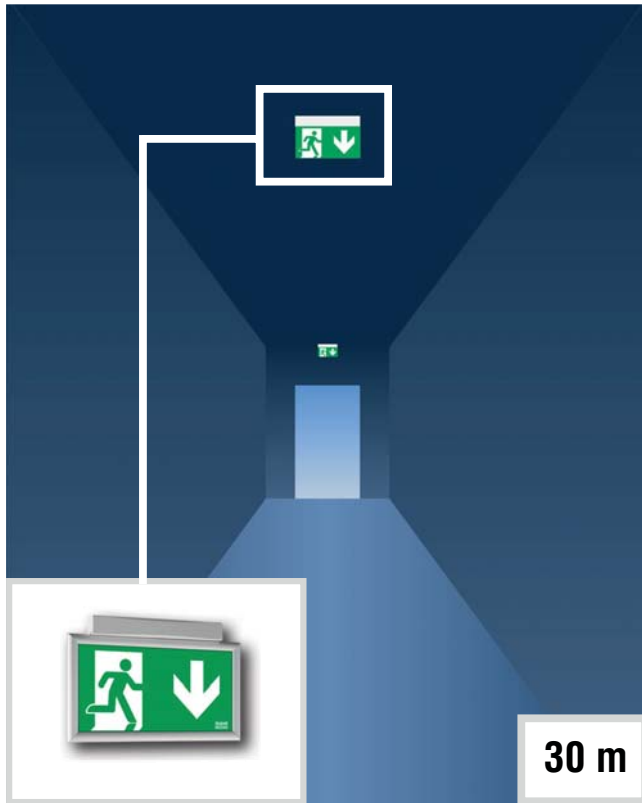
 Central switching

 Codeable dimming

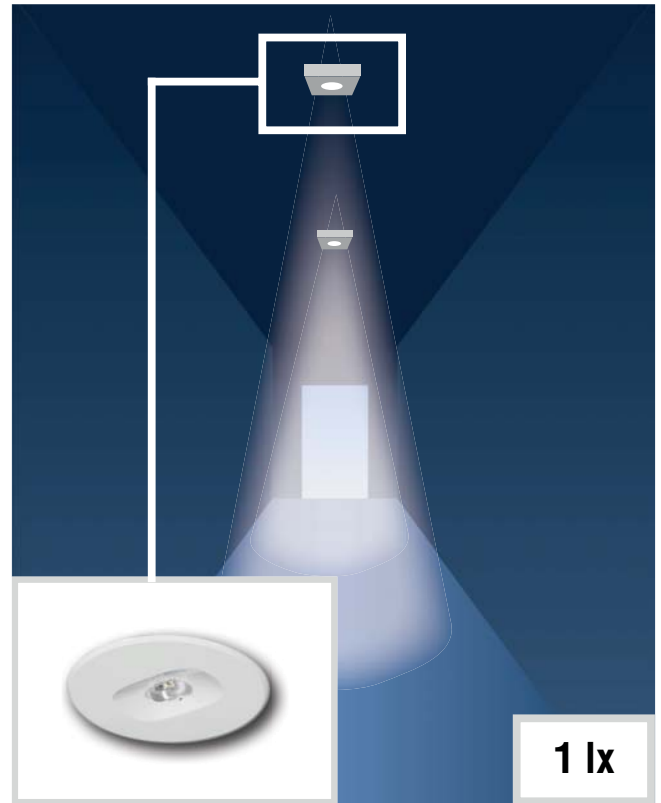


EXIT SIGN LUMINAIRES

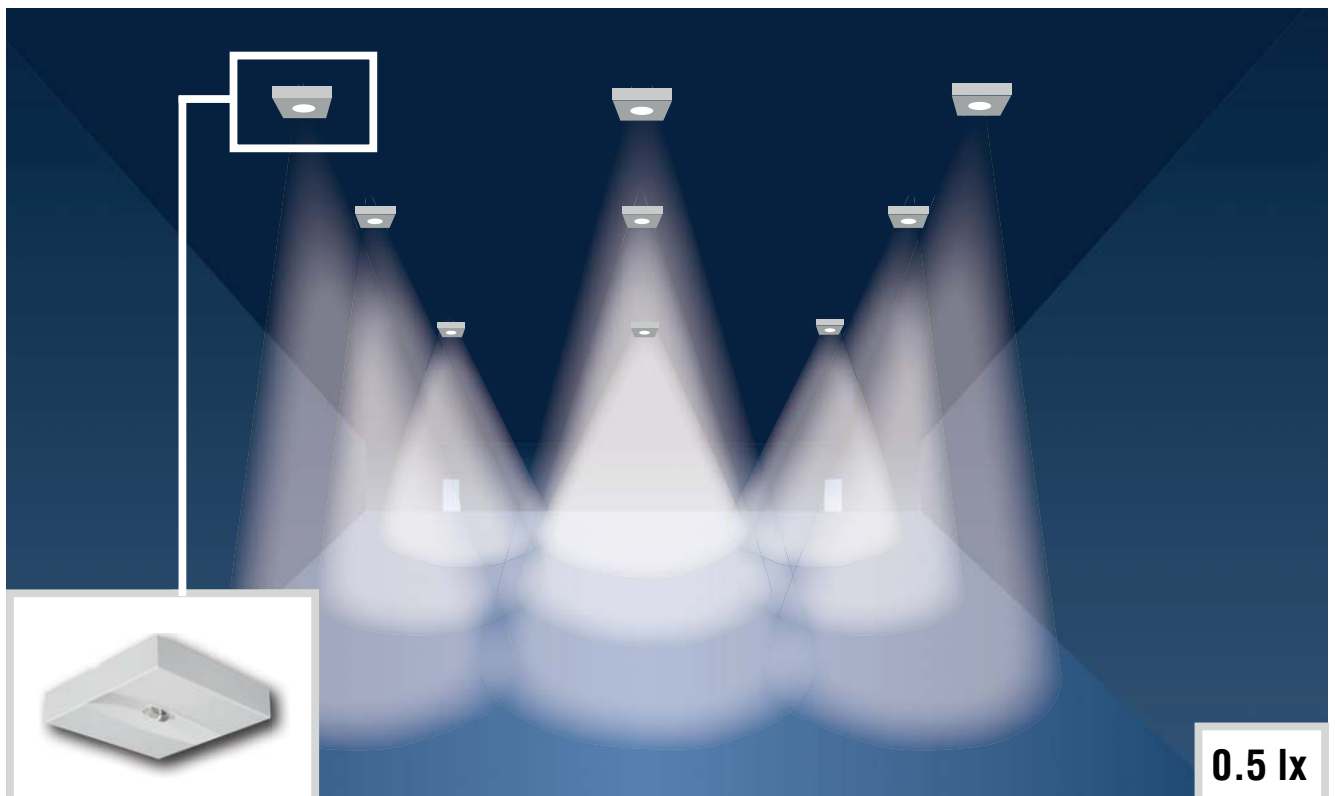
for escape route lighting and emergency exits

**SAFETY LUMINAIRES**

for escape routes

**SAFETY LUMINAIRES**

for areas



COMBINED LUMINAIRES

Combined exit sign and safety luminaire for identification and illumination



Combination of exit sign and safety luminaire in one luminaire

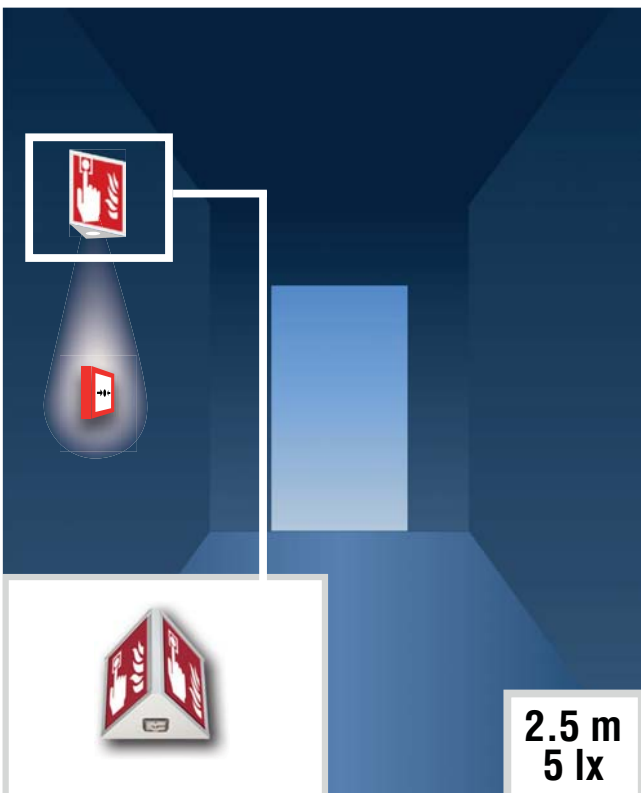
Suitable for **identification and illumination of exits and change of direction**

Either for **identification and illumination of safety devices**

Seperately circuit of both luminaires

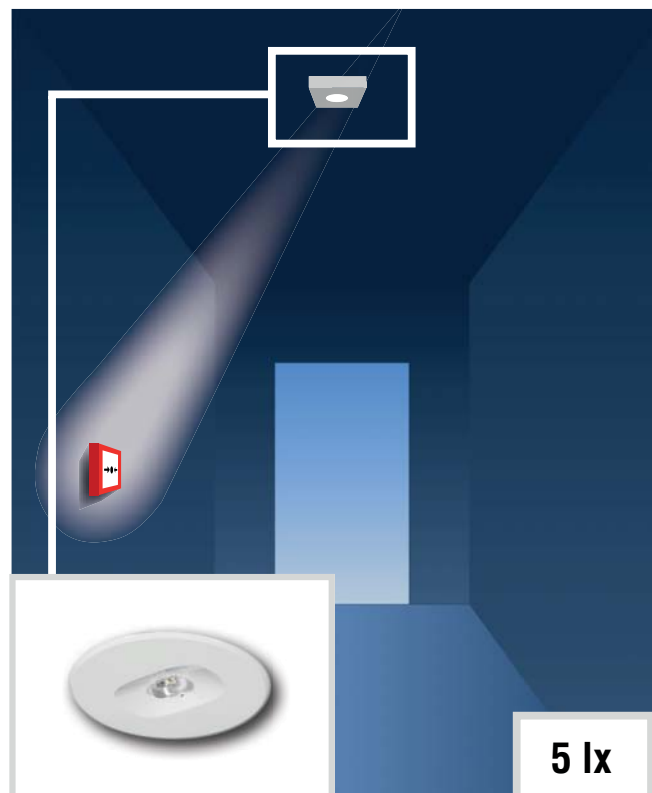
COMBINED LUMINAIRES

Safety sign and safety luminaires for safety devices



SAFETY LUMINAIRES

for safety devices





LIGHTING FOR INNOVATIVE
DECENTRAL AND CENTRAL SUPPLY
SICURO24 & SICURO230






INTEGRATED CONTROL DEVICE
FOR STATIC AND DYNAMIC SWITCHING

INTEGRATED TEST EQUIPMENT
FOR AUTOMATIC TESTING



EXIT SIGN LUMINAIRES
 EMERGENCY LUMINAIRES
 COMBINED EXIT SIGN- AND EMERGENCY LUMINAIRES
 COMBINED SAFETY SIGN- AND EMERGENCY LUMINAIRES
 FOR
 DECENTRAL AND CENTRAL SUPPLY

FUNCTIONS

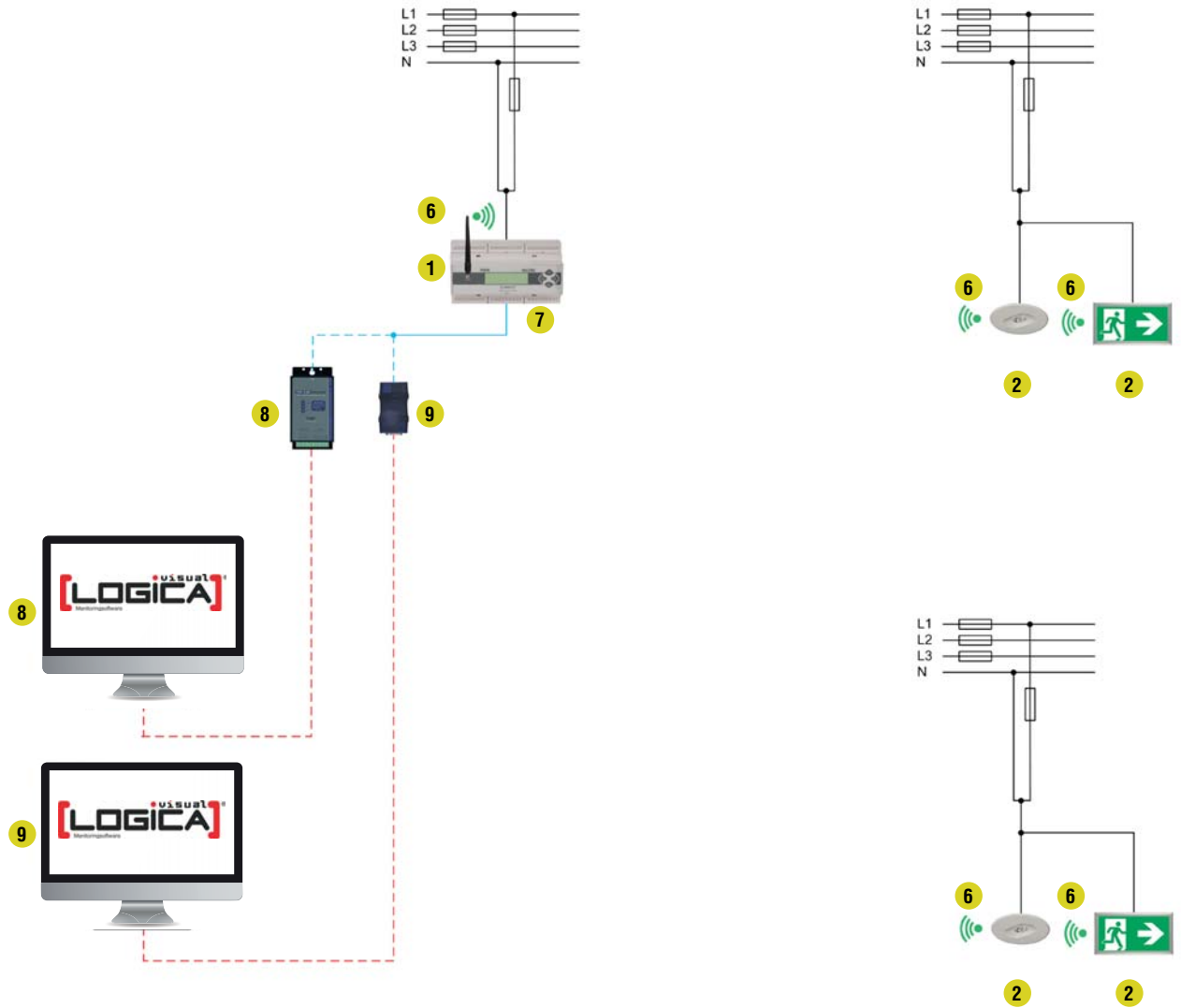
-  Individual monitoring
-  Programmable categories of operation
-  Combined categories of operation
-  Automatic addressing with Sicuro24
-  Manual and automatic addressing with Sicuro230



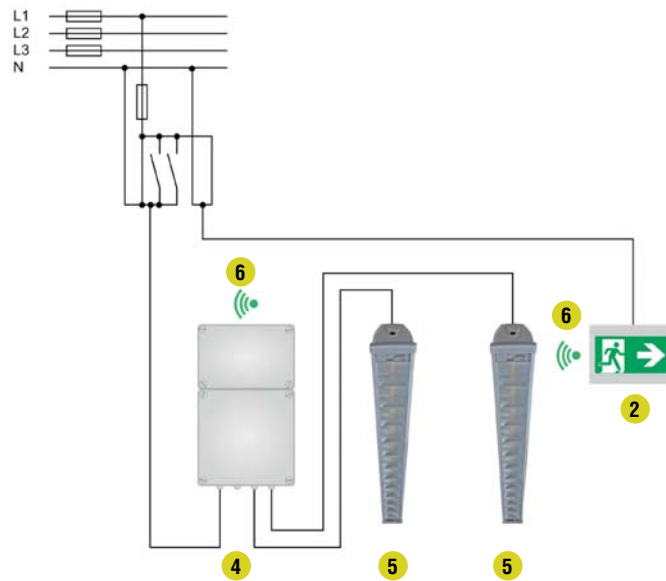
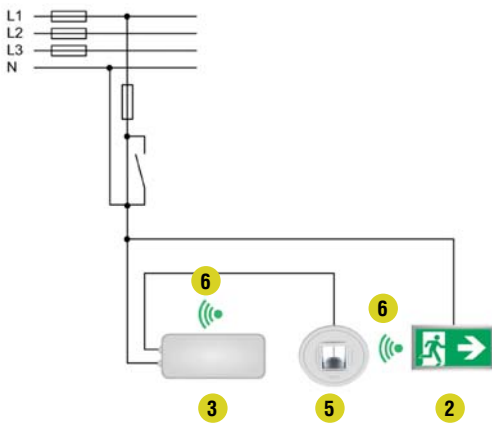
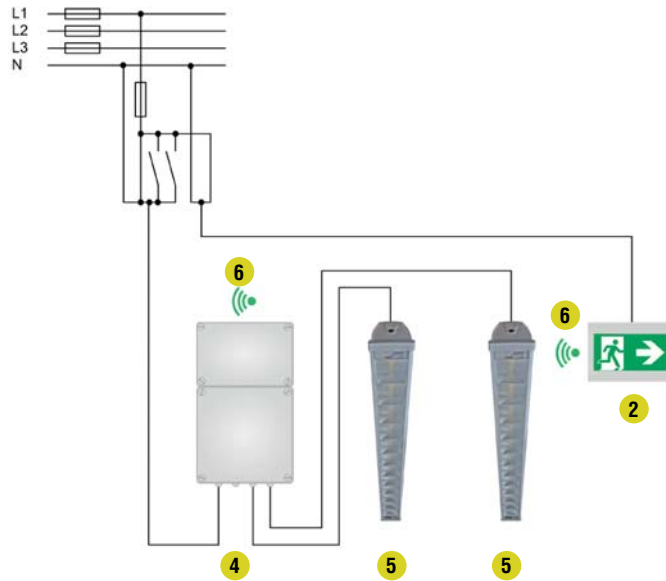
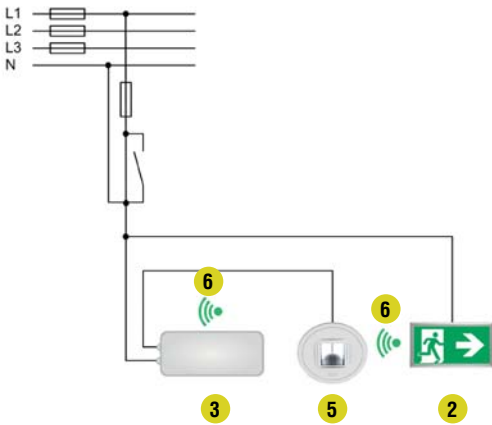
ADVANTAGES

Hazard-dependent control of escape route marking and lighting in mains and emergency mode

Automatic addressing to prevent addressing errors



- 1 Testing device **Logica FM**
- 2 **Exit sign and safety luminaire** with Logica FM-Interface
- 3 **Supply module** with Logica FM-Interface
- 4 **Supply device** with Logica FM-Interface
- 5 **Combined general and safety luminaire**



- 6** **Logica FM-Interface** for max. 320 luminaires, modules and devices (radio bus: ZigBee®)
- 7** **RS485-Interface** for USB- and Ethernet-Interface
- 8** **USB-Interface** for computer with software Logica Visual
- 9** **Ethernet-Interface** for computer with software Logica Visual

length: approx. 25 m between two Logica FM-Interfaces



TESTING DEVICE LOGICA FM

DIN EN 62034-compliant automatic testing device for monitoring and control of exit sign luminaires, safety luminaires, supply modules and supply units with single-battery supply and integrated Logica FM interface.

Communication between the testing device and max. 320 exit sign luminaires, safety luminaires, supply modules and supply units using the Logica FM interface via radio bus according to the ZigBee® standard. All Logica FM interfaces have an integrated repeater.

Automatic addressing of the exit sign luminaires, safety luminaires, supply modules and supply units.

PROGRAMMING

- Test parameters (date/time/duration/cycle) for each system
- Free assignment of exit sign luminaires, emergency luminaires, supply modules, and supply units to the monitoring and control groups

INTERFACES

RS485 interface for connection of

- USB-Interface
- Ethernet-Interface

RS232 interface for connection of

- Printer or Modbus

OPERATION

Operated on the automatic testing device or via a computer with the Logica Visual software (option) via USB interface or Ethernet interface (options).

Input: 4 buttons

Output: 1 display (2 x 16 characters)

TECHNICAL DATA

Mounting options:	DIN rail
Housing:	Polycarbonate
Degree of protection:	IP20
Protection class:	II
Dimensions (H x W x D):	90 x 160 x 75 mm



FUNCTIONS

MONITORING

- Automatic running of function tests and run time tests, either simultaneously or at different times for monitoring groups
- Manual running of function tests and run time tests for each exit sign luminaire, safety luminaire, supply module and supply unit, or monitoring group

CONTROL

- Manual switching (on / off) during mains operation for each exit sign luminaire, safety luminaire, supply module and supply unit or monitoring group
- Manual switching (on / off) during emergency operation for each exit sign luminaire, safety luminaire, supply module and supply unit or monitoring group

MESSAGE/SAVE

- Faults (lamp / battery / charging / communication failure) for each exit sign luminaire, safety luminaire, supply module and supply unit
- Results of function tests and run time tests for each exit sign luminaire, emergency safety luminaire, supply module and supply unit

INPUTS AND OUTPUTS

Free input/output of monitoring and control parameters and system data

- Run time 1h, 3h or 8h for each exit sign luminaire and emergency luminaire and 1h or 3h for each supply module and supply unit
- Operating mode (continuous or standby operation) for each exit sign luminaire, emergency luminaire, supply module and supply unit



LOGICA FM FOR DISTRIBUTOR INTEGRATION

Housing: Polycarbonate, grey (RAL 7035)
Dimensions (H x W x D): 90 x 160 x 75 mm
Degree of protection: IP20
Protection class: II
Mounting options: DIN rail
Power supply: 198 V–254 V / 50 Hz
Ambient temperature: 0 °C to 40 °C

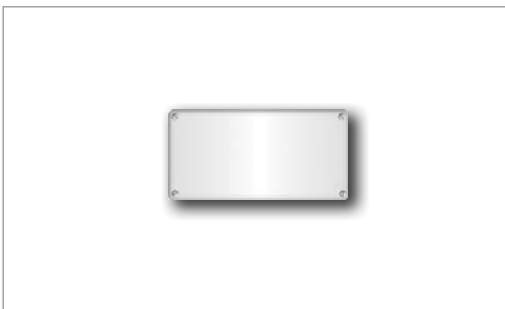
Order code	Description
16303	Version for distributor integration



LOGICA FM FOR WALL MOUNTING with combined fault signalling module

Housing: Polystyrene, grey (RAL 7035)
Dimensions (H x W x D): 458 x 295 x 130 mm
Degree of protection: IP65
Protection class: II
Mounting options: Wall mounting
Power supply: 198 V–254 V / 50 Hz
Ambient temperature: 0 °C to 40 °C

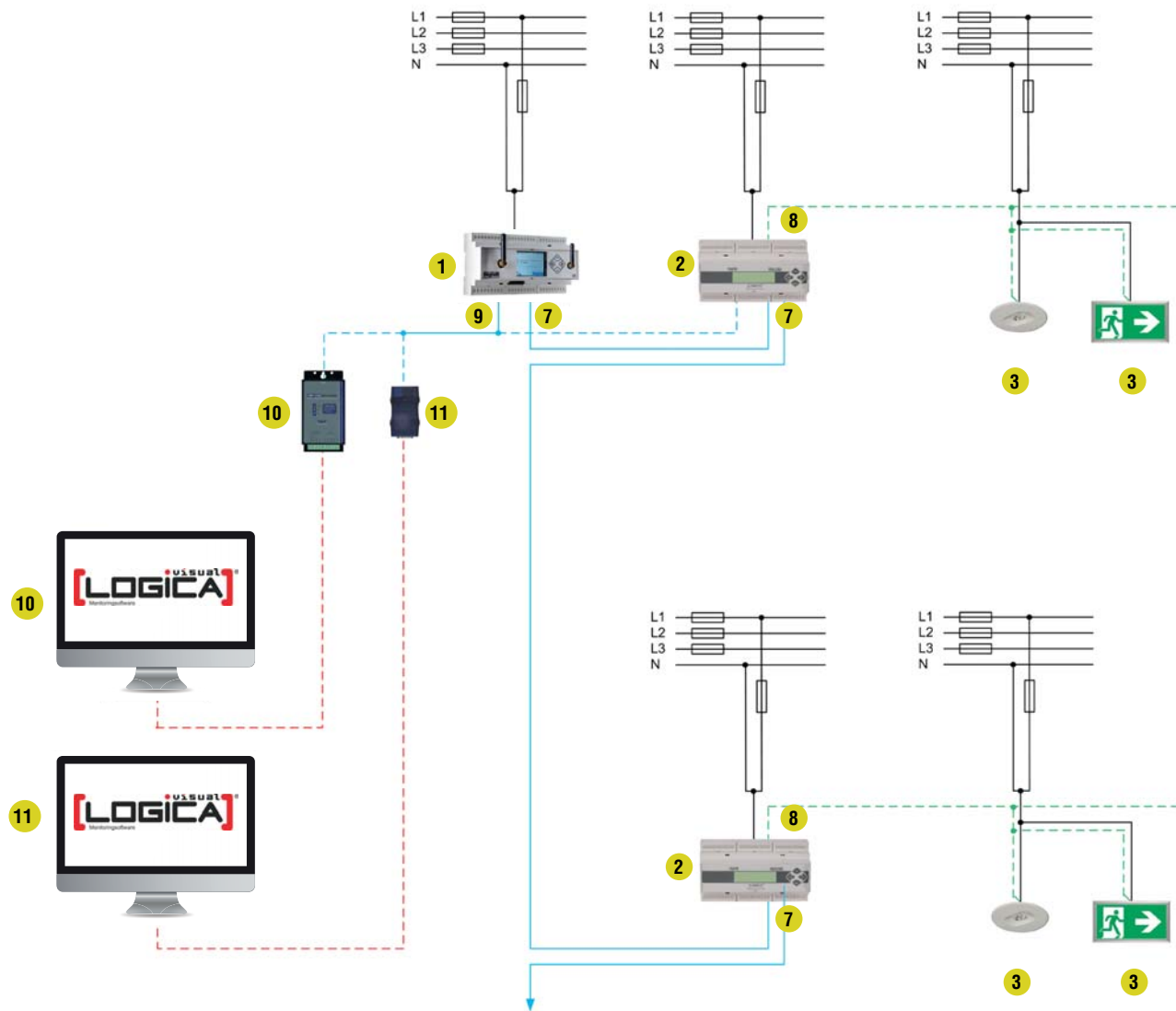
Order code	Description
16303-B	1 x Logica FM + 1 x fault signalling module



FM-REPEATER Module for strengthening the radio signal

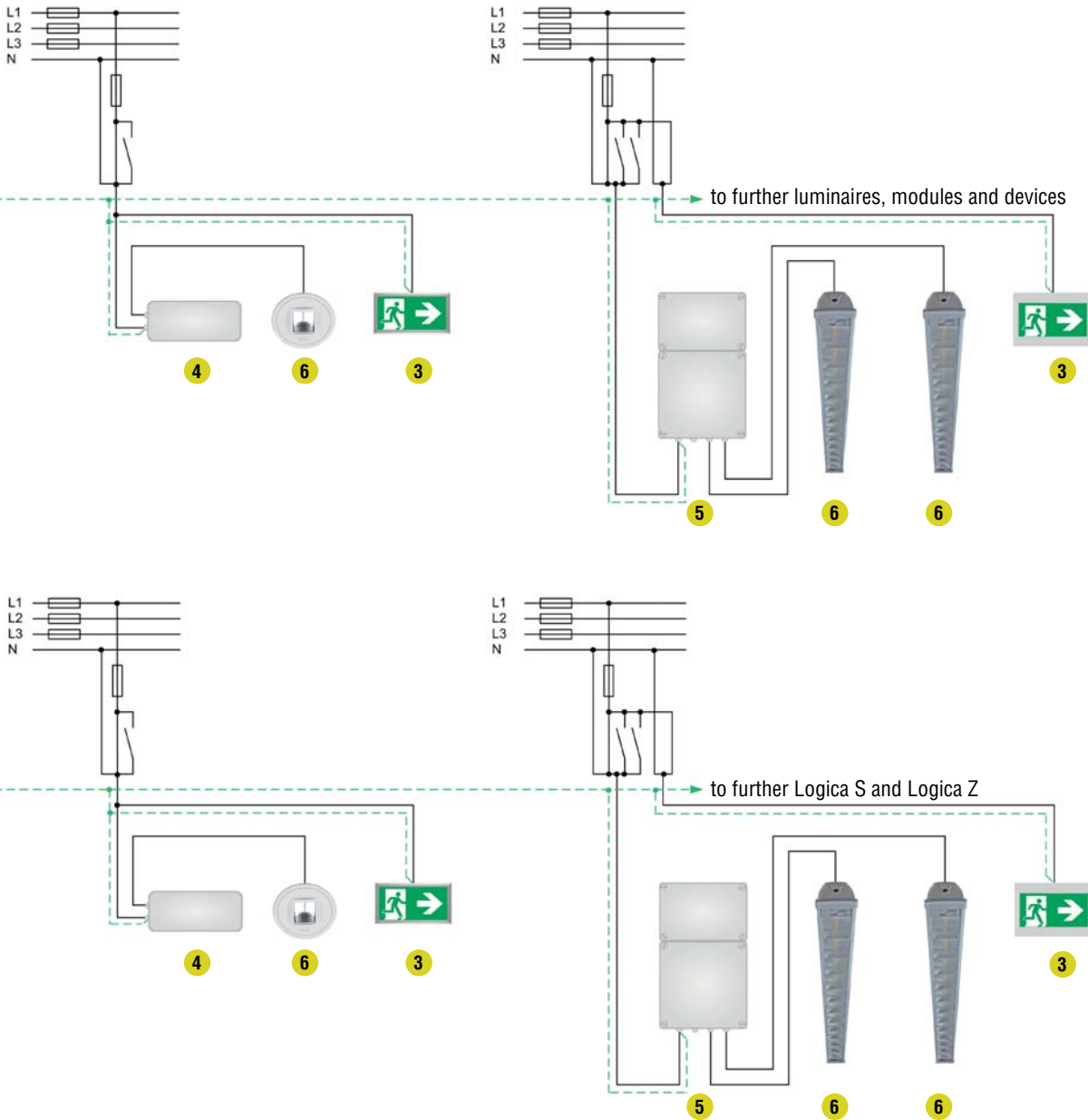
Housing: Polycarbonate, grey (RAL 7035)
Dimensions (H x W x D): 80 x 160 x 60 mm
Degree of protection: IP65
Protection class: II
Mounting options: Wall mounting or ceiling mounting
Power supply: 198 V–254 V / 50 Hz
Ambient temperature: 0 °C to 40 °C

Order code	Description
16321	FM-Repeater



- 1 Testing device **Logica Z**
- 2 Testing device **Logica S**
- 3 **Exit sign and safety luminaire** with Logica-Interface
- 4 **Supply module** with Logica-Interface
- 5 **Supply device** with Logica-Interface
- 6 **Combined general and safety luminaire**
- 7 **RS485-Interface** for max. 31 Logica S

Line bus: min. 2 x 2 x 0,28 mm², shielded
 Length: max. 1.000 m
 Typology: serial



8 Logica-Interface for max. 64 luminaires, modules and devices

Line bus: 2 x 0,5 mm², length max. 150 m
 2 x 1,0 mm², length max. 300 m
 2 x 1,5 mm², length max. 500 m

Typology: serial or parallel

9 RS485-Interface for USB- and Ethernet-Interface

10 USB-Interface for computer with software Logica Visual

11 Ethernet-Interface for computer with software Logica Visual



TESTING DEVICE LOGICA S AND LOGICA Z

DIN EN 62034-compliant automatic testing device for monitoring and control of exit sign luminaires, safety luminaires, supply modules and supply units with single-battery supply and Logica FM interface.

Communication between the Logica S testing device and max. 64 exit sign luminaires, safety luminaires, supply modules and supply units using the Logica FM interface via a bus line according to the DALI standard.

Communication between the Logica Z testing device and max. 31 Logica S testing devices using a bus line via RS485 interfaces.

Automatic addressing of the exit sign luminaires, safety luminaires, supply modules and supply units.

PROGRAMMING

- Test parameters (date, time, duration, cycle) for each system
- Free assignment of exit sign luminaires, emergency luminaires, supply modules and supply units to the monitoring and control groups

INTERFACES

RS485 interface (Logica S and Logica Z) for connection of

- USB-Interface
- Ethernet-Interface

RS232 interface (Logica Z) for connection of

- Printer or Modbus

OPERATION

Operated on the automatic testing device or via a computer with the Logica Visual software (option) via USB interface or Ethernet interface (options).

Input: 4 buttons

Output: 1 display (2 x 16 characters)

TECHNICAL DATA

Mounting options:	DIN rail
Housing:	Polycarbonate
Degree of protection:	IP20
Protection class:	II
Dimensions (H x W x D):	90 x 160 x 75 mm



FUNCTIONS

MONITORING

- Automatic running of function tests and run time tests, either simultaneously or at different times, for monitoring groups
- Manual running of function tests and run time tests for each exit sign luminaire, safety luminaire, supply module and supply unit, or monitoring group

CONTROL

- Manual switching (on / off) during mains operation for each exit sign luminaire, safety luminaire, supply module and supply unit or monitoring group
- Manual switching (on / off) during emergency operation for each exit sign luminaire, safety luminaire, supply module and supply unit or monitoring group

MESSAGE (LOGICA S UND LOGICA Z) / SAVE (LOGICA Z)

- Faults (lamp / battery / charging / communication failure) for each exit sign luminaire, safety luminaire, supply module and supply unit
- Results of function tests and run time tests for each exit sign luminaire, safety luminaire, supply module and supply unit

INPUTS AND OUTPUTS

Free input/output of monitoring/control parameters and system data

- Run time 1h, 3h, or 8h for each exit sign luminaire and emergency luminaire and 1h or 3h for each supply module and supply unit
- Operating mode (continuous or standby operation) for each exit sign luminaire, safety luminaire, supply module and supply unit



LOGICA S + Z FOR DISTRIBUTOR INTEGRATION

Housing: Polycarbonate, grey (RAL 7035)
Dimensions (H x W x D): 90 x 160 x 75 mm
Degree of protection: IP20
Protection class: II
Mounting options: DIN rail
Power supply: 198 V–254 V / 50 Hz
Ambient temperature: 0 °C to 40 °C

Order code

16300	Logica S
16305	Logica Z



LOGICA S FOR WALL MOUNTING

Housing: Polystyrene, grey (RAL 7035)
Dimensions (H x W x D): 458 x 295 x 130 mm
Degree of protection: IP65
Protection class: II
Mounting options: Wall mounting
Power supply: 198 V–254 V / 50 Hz
Ambient temperature: 0 °C to 40 °C

Order code

Description

16300-B	Logica S
---------	----------



LOGICA Z FOR WALL MOUNTING

**with combined
fault signalling module**

Housing: Polystyrene, grey (RAL 7035)
Dimensions (H x W x D): 458 x 295 x 130 mm
Degree of protection: IP65
Protection class: II
Mounting options: Wall mounting
Power supply: 198 V–254 V / 50 Hz
Ambient temperature: 0 °C to 40 °C

Order code

Description

16305-B	1 x Logica Z + 1 x fault signalling module
---------	--



LOGICA S + Z FOR WALL MOUNTING

**with combined
fault signalling module**

Housing: Polystyrene, grey (RAL 7035)
Dimensions (H x W x D): 583 x 295 x 130 mm
Degree of protection: IP65
Protection class: II
Mounting options: Wall mounting
Power supply: 198 V–254 V / 50 Hz
Ambient temperature: 0 °C to 40 °C

Order code

Description

F90300	1 x Logica S + 1 x Logica Z + 1 x fault signalling module
--------	---



COMBINED FAULT SIGNALLING MODULE

Module for external transmission of a combined fault.

Signal output:	Changeover contact, potential-free (250 V / 5 A)
Housing:	Polycarbonate, grey (RAL 7035)
Dimensions (H x W x D):	95 x 48 x 42 mm
Degree of protection:	IP20
Protection class:	II
Mounting options:	DIN rail
Ambient temperature:	0 °C to 40 °C

Order code	Description
G31305	Combined fault signalling module



RS485-RS232 ETHERNET-INTERFACE

Module for indirect connection between a Logica FM, Logica Z or Logica S automatic testing device and a computer with the Logica Visual software via a network.

Housing:	Plastic
Dimensions (H x W x D):	30 x 87 x 56 mm
Degree of protection:	IP20
Protection class:	III
Mounting options:	DIN rail

Order code	Description
12135	RS485-RS232 / Ethernet-Interface



RS485 / USB-INTERFACE

Module for communication between Logica FM, Logica Z or Logica S and a computer with the Logica Visual software via USB.

Housing:	Metal
Dimensions (H x W x D):	151 x 75 x 26 mm
Degree of protection:	IP20
Protection class:	III
Mounting options:	DIN rail

Order code	Description
16319	RS485-USB-Interface

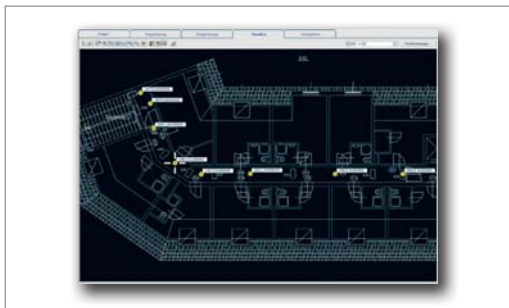


PRINTER

Printer for connection to an automatic testing device Logica FM or Logica Z. Printout of fault messages and test results.

Paper type:	Thermopaper
Housing:	Plastic, black
Dimensions (H x W x D):	85 x 53 x 85 mm
Degree of protection:	IP20
Protection class:	I
Mounting options:	DIN rail

Order code	Description
16302	Printer



Order code	Description
SWB16311	Logica Visual

LOGICA VISUAL Monitoring and control software

Software for centralised monitoring and control of complex emergency lighting systems with single battery supply, decentralised supply, or central supply.

PROGRAMMING

Version for Windows XP (32 / 64 Bit), Windows VISTA (32 / 64 Bit), Windows 7 (32 / 64 Bit) and Windows 8 (32 / 64 Bit), Windows 10 (32 / 64 Bit)

- Import of floor plans as DXF/DWG file
- Textual and graphic allocation of all systems, circuits and luminaires and for all luminaires, supply units and supply modules
- System parameters for each system
- Test parameters for each system
- Operating mode for each circuit or luminaire (decentral and central supply)
- Circuitry for each circuit or luminaire (decentral and central supply), and for each exit sign luminaire, safety luminaire, supply module and supply unit (self-contained supply)
- Test parameters (date, time, duration, cycle) for each system
- Free assignment of exit sign luminaires, emergency luminaires, supply modules and supply units to the control groups (self-contained supply)
- Free allocation of the circuits and luminaires to monitoring and control modules for each system (decentral and central supply)
- 3 programmable time control views with 7 x 5 switching commands (continuous mode) for each system (decentral supply)

FUNCTIONS

MONITORING

- Automatic or manual running of a function test
- Automatic or manual running of a run time test

CONTROL

- Manual switching (on / off) during mains operation for each exit sign luminaire, safety luminaire, supply module and supply unit or control group (self-contained supply)
- Manual dimming (7.5 to 100%) during mains operation for each exit sign luminaire, safety luminaire or control group (self-contained supply)
- Manual switching (on / off) of continuous mode during mains operation for each system (decentral and central supply)

MESSAGE

- Current status in online mode (operating status / operating mode / faults / tests) in graphical and numeric format for each luminaire (decentral and central supply) and for each exit sign luminaire, safety luminaire, supply module and supply unit (self-contained supply)
- Faults in online mode (lamp / communication failure) for each luminaire (central supply) and (lamp / battery / charge / communication failure) for each exit sign luminaire, emergency luminaire, supply module and supply unit (self-contained supply)
- Testing of the last 2 years for each system, decentral supply, central supply and self-contained supply



PLURALUCE

Flat design housing in sheet steel or Polycarbonate and frame display with aluminium frame and integrated light guide panel made of opal plastic. Homogeneous light distribution ensures optimal illumination of the exit sign. Single or double-sided escape route signage is provided thanks to exchangeable films.

Versions for surface mounting on walls, ceilings, or brackets, with equipment for recessed mounting on walls or ceilings or for wire or rod suspension

Version Sicuro24 also for recessed mounting on fire protection walls / fire protection ceilings of fire resistance class F30 or F90

MOUNTING OPTIONS



MOUNTING OPTIONS WITH EQUIPMENT



TECHNICAL DATA

Housing:	Sheet steel, grey (RAL 7035) (wall) Polycarbonate, grey (RAL 7035) (ceiling, suspension, bracket suspension)	Service life $L_{80}B_{50}$:	50.000 h
Frame:	Aluminium, anodized	Color stability:	3 SDCM
Display pane:	Light guide panel		
Film:	Methacrylate, printed		
Type of protection:	IP40 (wall), IP41 (Ceiling, suspension, bracket suspension)		



SELF-CONTAINED SUPPLY

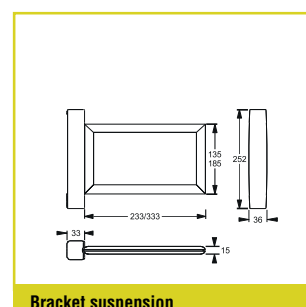
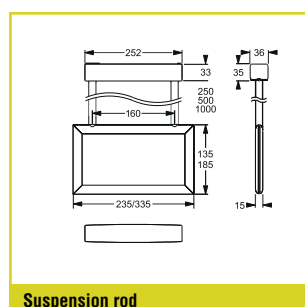
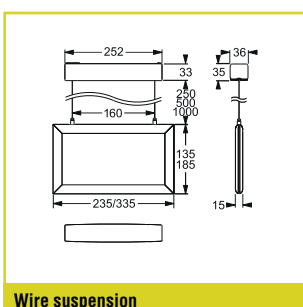
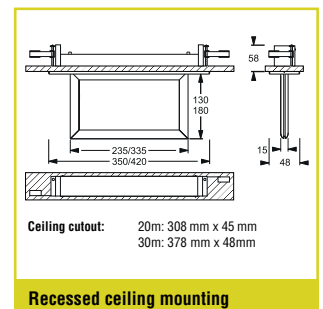
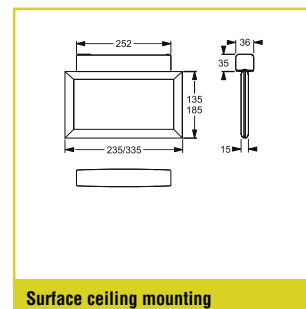
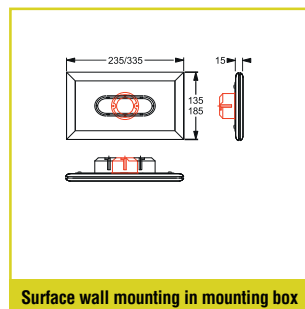
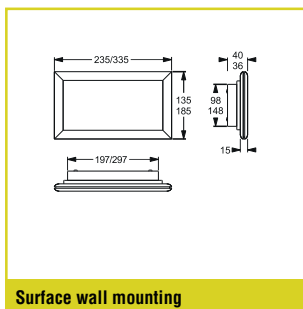
Mains supply: 198 V–254 V/50 Hz	Ambient temperature: Classic: 0 °C to +40 °C
Specification: Maintained or non-maintained mode	Protection class: I

DECENTRAL SUPPLY







Mains supply: 24 V +/- 20% DC	Ambient temperature: -20 °C to +40 °C
Battery supply: 24 V +/- 20% DC	Protection class: III

CENTRAL SUPPLY



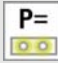
Mains supply: 198 V–254 V/50 Hz	Ambient temperature: -20 °C to +40 °C
Battery supply: 176 V–276 V	Protection class: I







CLASSIC SELF-CONTAINED SUPPLY

Autotest Order code	Logica Order code	Logica FM Order code				 Autotest	 Logica	
Surface wall mounting / recessed wall mounting (single faced indication) ¹								
16707	16709	16711	20 m	16	1h / 3h	NiCd 7.2V / 0.75 Ah	NiMh 7.2V / 1.2 Ah	6 VA
16706	16708	16710	30 m	24	1h / 3h	NiCd 7.2V / 0.75 Ah	NiMh 7.2V / 1.2 Ah	6 VA
Surface ceiling mounting / recessed ceiling mounting, suspension, bracket suspension (double faced indication) ²								
16701	16703	16705	20 m	32	1h / 3h	NiMh 7.2V / 0.6 Ah	NiMh 7.2V / 0.6 Ah	8 VA
16700	16702	16704	30 m	48	1h / 3h	NiMh 7.2V / 0.6 Ah	NiMh 7.2V / 0.6 Ah	10 VA

SICURO^{LED} DECENTRAL SUPPLY

Sicuro24 Order code			
Surface wall mounting / recessed wall mounting (single faced indication) ¹			
32035	20 m	16	1,7 W ³
32034	30 m	24	2,2 W ³
Surface ceiling mounting / recessed ceiling mounting, suspension, bracket suspension (double faced indication) ²			
32033	20 m	32	2,9 W
32032	30 m	48	4,3 W

SICURO^{LED} CENTRAL SUPPLY



Sicuro230 Order code				
Surface wall mounting / recessed wall mounting (single faced indication) ¹				
31035	20 m	16	4,85 VA / 1,8 W	
31034	30 m	24	5,8 VA / 2,5 W	
Surface ceiling mounting / recessed ceiling mounting, suspension, bracket suspension (double faced indication) ² ² kennzeichnung ²				
31033	20 m	32	7,4 VA / 3,5 W	
31032	30 m	48	9,4 VA / 4,7 W	

¹ Recessed wall mounting requires an additional installation box according to DIN 49073 for concealed or hollow wall assembly (not supplied). F. i.: brand Kaiser, order no. 9062-02, 1056-04 resp. 1556-04 or 1656-02, 9063-01 resp. 9064-01, to be sourced locally



² For recessed ceiling mounting and suspension mounting, please order equipment separately

³ Recessed ceiling mounting or mounting in fire ceilings with the fire resistance class F30 or F90 according to DIN 4102-4 requires an additional installation box F. i.: brand Kaiser, order no. 9463-01, 9463-02, 9464-01, 9464-02 resp. 1564-01 (wall) or 9463-50 resp. 9464-50 (ceiling), to be sourced locally

Included in standard delivery

Order code	Description
VD 20 m	VD 30 m
16770	16779 Kit of exit sign films single faced indication 
16771	16780 Kit of exit sign films double faced indication 

Please order exit sign equipment separately

Order code	Description
VD 20 m	VD 30 m
16772	16781 Exit sign film 
16773	16782 Exit sign film 
16774	16783 Exit sign film 
16775	16784 Exit sign film 
16776	16785 Exit sign film 
16777	16786 Exit sign film 
16778	16787 Exit sign film 

Please order additional equipment separately

Order code	Description
VD 20m	VD 30 m
19384	19386 Recessed ceiling mounting set
19380	19380 Suspension rod, round, 250 mm
19381	19381 Suspension rod, round, 500 mm
19382	19382 Suspension rod, round, 1.000 mm
19383	19383 Wire suspension 1.200 mm
19385	19387 Concrete ceiling box

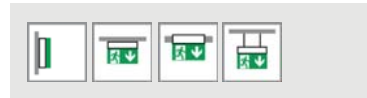


PLEXI LED

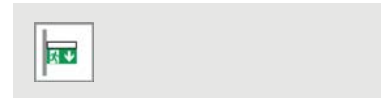
Flat design housing in sheet steel and frameless display with integrated light guide panel made of clear plastic. Homogeneous light distribution ensures optimal illumination of the exit sign. Single or double-sided escape route signage is provided thanks to exchangeable films.

Versions for surface wall mounting, surface ceiling mounting, recessed ceiling mounting, or wire suspension with cables and with equipment for

MOUNTING OPTIONS



MOUNTING OPTIONS WITH EQUIPMENT



TECHNICAL DATA

Housing: Stainless steel, white (RAL 9003)
Display pane: Light guide panel
Film: Methacrylate, printed

Service life $L_{80/B_{50}}$: 50.000 h
Color stability: 3 SDCM



SELF-CONTAINED SUPPLY

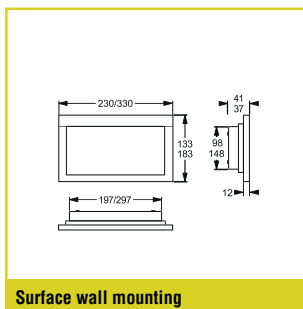
Mains supply: 198 V–254 V/50 Hz
Specification: Maintained or non-maintained mode
Ambient temperature: LTO: -20 °C to +50 °C
 Classic: 0 °C to +40 °C
Protection class: I

DECENTRAL SUPPLY

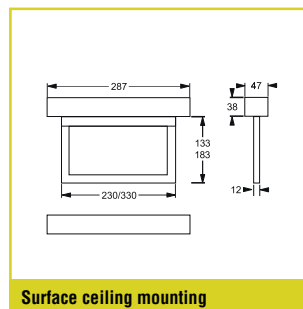
Battery supply: 24 V +/- 20% DC
Mains supply: 24 V +/- 20% DC
Ambient temperature: -20 °C to +40 °C
Protection class: III

CENTRAL SUPPLY

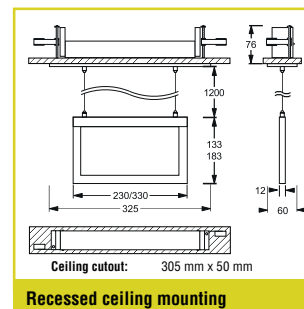
Battery supply: 176 V–276 V
Mains supply: 198 V–254 V/50 Hz
Ambient temperature: -20 °C to +40 °C
Protection class: I



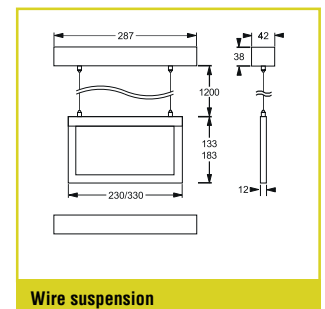
Surface wall mounting



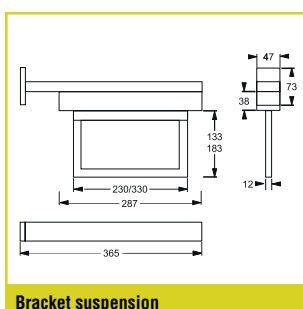
Surface ceiling mounting



Recessed ceiling mounting



Wire suspension



Bracket suspension



SELF-CONTAINED SUPPLY

Autotest Order code	Logica Order code	Logica FM Order code					
Surface wall mounting (single faced indication)							
37150	37151	37152	20 m	32	1h / 3h / 8h	2 x LTO 7.2 V / 0.5 Ah	4.85 VA
37153	37154	37155	30 m	48	1h / 3h / 8h	2 x LTO 7.2 V / 0.5 Ah	4.85 VA
Surface ceiling mounting, bracket suspension (double faced indication) ¹							
37144	37145	37146	20 m	32	1h / 3h / 8h	2 x LTO 7.2 V / 0.5 Ah	4.85 VA
37147	37148	37149	30 m	48	1h / 3h / 8h	2 x LTO 7.2 V / 0.5 Ah	4.85 VA
Recessed ceiling mounting (double faced indication)							
37138	37139	37140	20 m	32	1h / 3h / 8h	2 x LTO 7.2 V / 0.5 Ah	4.85 VA
37141	37142	37143	30 m	48	1h / 3h / 8h	2 x LTO 7.2 V / 0.5 Ah	4.85 VA
Wire suspension (double faced indication)							
37132	37133	37134	20 m	32	1h / 3h / 8h	2 x LTO 7.2 V / 0.5 Ah	4.85 VA
37135	37136	37137	30 m	48	1h / 3h / 8h	2 x LTO 7.2 V / 0.5 Ah	4.85 VA

CLASSIC SELF-CONTAINED SUPPLY

Autotest Order code	Logica Order code	Logica FM Order code					Autotest		Logica	
Surface wall mounting (single faced indication)										
36194	36195	36196	20 m	32	1h / 3h	NiMh 7.2V / 1.2 Ah	NiMh 7.2V / 1.2 Ah	NiMh 7.2V / 1.2 Ah	8 VA	
36197	36198	36199	30 m	48	1h / 3h	NiMh 7.2V / 1.2 Ah	NiMh 7.2V / 1.2 Ah	NiMh 7.2V / 1.2 Ah	10 VA	
Surface ceiling mounting, bracket suspension (double faced indication) ¹										
36188	36189	36190	20 m	32	1h / 3h	NiMh 7.2V / 1.2 Ah	NiMh 7.2V / 1.2 Ah	NiMh 7.2V / 1.2 Ah	8 VA	
36191	36192	36193	30 m	48	1h / 3h	NiMh 7.2V / 1.2 Ah	NiMh 7.2V / 1.2 Ah	NiMh 7.2V / 1.2 Ah	10 VA	
Recessed ceiling mounting (double faced indication)										
36182	36183	36184	20 m	32	1h / 3h	NiMh 7.2V / 1.2 Ah	NiMh 7.2V / 1.2 Ah	NiMh 7.2V / 1.2 Ah	8 VA	
36185	36186	36187	30 m	48	1h / 3h	NiMh 7.2V / 1.2 Ah	NiMh 7.2V / 1.2 Ah	NiMh 7.2V / 1.2 Ah	10 VA	
Wire suspension (double faced indication)										
36176	36177	36178	20 m	32	1h / 3h	NiMh 7.2V / 1.2 Ah	NiMh 7.2V / 1.2 Ah	NiMh 7.2V / 1.2 Ah	8 VA	
36179	36180	36181	30 m	48	1h / 3h	NiMh 7.2V / 1.2 Ah	NiMh 7.2V / 1.2 Ah	NiMh 7.2V / 1.2 Ah	10 VA	

SICURO[®] DECENTRAL SUPPLY

Sicuro24 Order code			
Surface wall mounting (single faced indication)			
32081	20 m	32	2.9 W
32082	30 m	48	4.3 W
Surface ceiling mounting, bracket suspension (double faced indication) ¹			
32079	20 m	32	2.9 W
32080	30 m	48	4.3 W
Recessed ceiling mounting (double faced indication)			
32077	20 m	32	2.9 W
32078	30 m	48	4.3 W
Wire suspension (double faced indication)			
32075	20 m	32	2.9 W
32076	30 m	48	4.3 W

SICURO[®] CENTRAL SUPPLY

Sicuro230 Order code				
Surface wall mounting (single faced indication)				
31110	20 m	32	7.4 VA / 3.5 W	
31111	30 m	48	9.4 VA / 4.7 W	
Surface ceiling mounting, bracket suspension (double faced indication) ¹				
31108	20 m	32	7.4 VA / 3.5 W	
31109	30 m	48	9.4 VA / 4.7 W	
Recessed ceiling mounting (double faced indication)				
31106	20 m	32	7.4 VA / 3.5 W	
31107	30 m	48	9.4 VA / 4.7 W	
Wire suspension (double faced indication)				
31104	20 m	32	7.4 VA / 3.5 W	
31105	30 m	48	9.4 VA / 4.7 W	

¹ For bracket suspension, please order equipment separately

Please order exit sign equipment separately

Order code	Description	
VD 20 m	VD 30 m	
16772	16781	Exit sign film
16773	16782	Exit sign film
16774	16783	Exit sign film
16775	16784	Exit sign film
16776	16785	Exit sign film
16777	16786	Exit sign film
16778	16787	Exit sign film
16788	16789	Exit sign film

Included in standard delivery

Order code	Description	
VD 20 m	VD 30 m	
16770	16779	Kit of exit sign films single faced indication
16771	16780	Kit of exit sign films double faced indication

Please order additional equipment separately

Order code	Description	
VD 20 m	VD 30 m	
F95944	F95944	Bracket suspension



DISPOS EVO

Square design housing made of sheet steel or stainless sheet steel in universal versions. Single or double-sided escape route signage is provided thanks to exchangeable display inserts.

Versions for surface wall mounting or surface ceiling mounting, or with equipment for recessed wall mounting, wire or rod suspension, or mounting on brackets

MOUNTING OPTIONS



MOUNTING OPTIONS WITH EQUIPMENT



TECHNICAL DATA

Housing:	Sheet steel, white (RAL 9003) Stainless steel (V2A)
Blende:	Sheet steel, white (RAL 9003) Stainless steel (V2A)
Display pane:	Methacrylate, printed

Service life $L_{80, B_{50}}$:	50.000 h
Color stability:	3 SDCM



SELF-CONTAINED SUPPLY

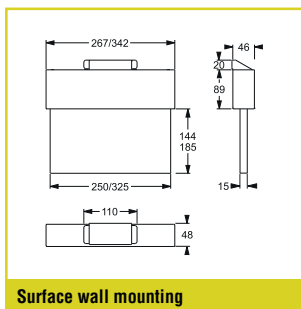
Mains supply: 198 V–254 V/50 Hz	Ambient temperature: LTO: -20 °C to +50 °C Classic: 0 °C to +40 °C
Specification: Maintained or non-maintained mode	Protection class: I

DECENTRAL SUPPLY

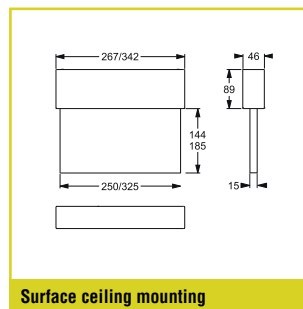
Battery supply: 24 V +/- 20% DC	Ambient temperature: -20 °C to +40 °C
Mains supply: 24 V +/- 20% DC	Protection class: III

CENTRAL SUPPLY

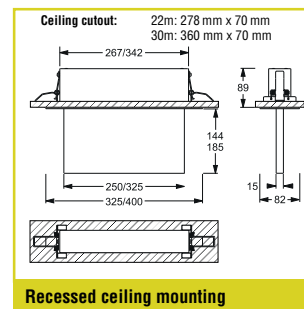
Battery supply: 176 V–276 V	Ambient temperature: -20 °C to +40 °C
Mains supply: 198 V–254 V/50 Hz	Protection class: I



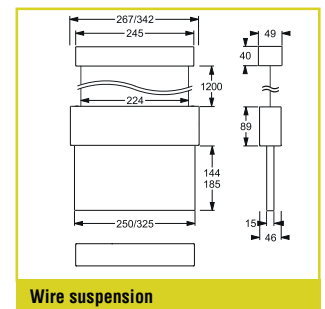
Surface wall mounting



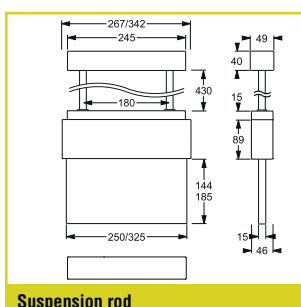
Surface ceiling mounting



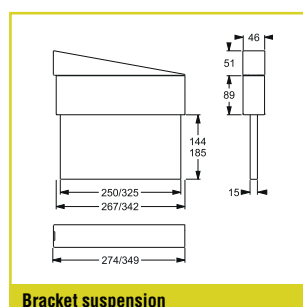
Recessed ceiling mounting



Wire suspension



Suspension rod



Bracket suspension



SELF-CONTAINED SUPPLY

Autotest Order code	Logica Order code	Logica FM Order code					
---------------------	-------------------	----------------------	--	--	--	--	--

Surface wall mounting (single faced indication), surface or recessed ceiling mounting, wire and rod suspension, bracket suspension (double faced indication)¹

37000	37001	37002	22 m	24	1h / 3h / 8h	2 x LTO 7.2 V / 0.5 Ah	4.85 VA
37006	37007	37008	30 m	48	1h / 3h / 8h	2 x LTO 7.2 V / 0.5 Ah	4.85 VA

Stainless steel V2A

Surface wall mounting (single faced indication), surface or recessed ceiling mounting, wire and rod suspension, bracket suspension (double faced indication)¹

37003	37004	37005	22 m	24	1h / 3h / 8h	2 x LTO 7.2 V / 0.5 Ah	4.85 VA
37009	37010	37011	30 m	48	1h / 3h / 8h	2 x LTO 7.2 V / 0.5 Ah	4.85 VA

CLASSIC SELF-CONTAINED SUPPLY

Autotest Order code	Logica Order code	Logica FM Order code						
---------------------	-------------------	----------------------	--	--	--	--	--	--

Surface wall mounting (single faced indication), surface or recessed ceiling mounting, wire and rod suspension, bracket suspension (double faced indication)¹

36000	36001	36002	22 m	24	1h / 3h	NiMh 7.2V / 0.6 Ah	NiMh 7.2V / 1.2 Ah	7 VA
36006	36007	36008	30 m	48	1h / 3h	NiMh 7.2V / 0.6 Ah	NiMh 7.2V / 1.2 Ah	10 VA

Stainless steel V2A

Surface wall mounting (single faced indication), surface or recessed ceiling mounting, wire and rod suspension, bracket suspension (double faced indication)¹

36003	36004	36005	22 m	24	1h / 3h	NiMh 7.2V / 0.6 Ah	NiMh 7.2V / 1.2 Ah	7 VA
36009	36010	36011	30 m	48	1h / 3h	NiMh 7.2V / 0.6 Ah	NiMh 7.2V / 1.2 Ah	10 VA



DECENTRAL SUPPLY

Sicuro24 Order code			
---------------------	--	--	--

Surface wall mounting (single faced indication), surface or recessed ceiling mounting, wire and rod suspension, bracket suspension (double faced indication)¹

32000	22 m	24	2.2 W
32002	30 m	48	4.3 W

Stainless steel V2A

Surface wall mounting (single faced indication), surface or recessed ceiling mounting, wire and rod suspension, bracket suspension (double faced indication)¹

32001	22 m	24	2.2 W
32003	30 m	48	4.3 W



CENTRAL SUPPLY

Sicuro230 Order code				
----------------------	--	--	--	--

Surface wall mounting (single faced indication), surface or recessed ceiling mounting, wire and rod suspension, bracket suspension (double faced indication)¹

31000	22 m	24	5.8 VA / 2.5 W
31002	30 m	48	9.4 VA / 4.7 W

Stainless steel V2A

Surface wall mounting (single faced indication), surface or recessed ceiling mounting, wire and rod suspension, bracket suspension (double faced indication)¹

31001	22 m	24	5.8 VA / 2.5 W
31003	30 m	48	9.4 VA / 4.7 W

¹ For recessed ceiling mounting, wire and rod suspension, please order equipment separately

Included in standard delivery

VD 22 m	VD 30 m	
F95951	F95951	Adaptor for wall mounting, white
F95958	F95958	Adaptor for wall mounting, V2A

Please order additional equipment separately

Order code	VD 30 m	Description
VD 22 m	VD 30 m	
F95947	F95948	Recessed ceiling mounting set, white
F95954	F95955	Recessed ceiling mounting set, V2A
F95946	F95946	Wire suspension, max. 1.200 mm, white
F95953	F95953	Wire suspension, max. 1.200 mm, V2A
F95949	F95950	Bracket suspension, white
F95956	F95957	Bracket suspension, V2A
F95945	F95945	Suspension rod, round, 500 mm, white
F95952	F95952	Suspension rod, round, 500 mm, V2A
F95959	F95960	Concrete ceiling box

Please order exit sign equipment separately

Order code	VD 30 m	Description	
VD 22 m	VD 30 m		
E16260M	E16328M	Exit sign pane	
E16261M	E16129M	Exit sign pane	
E16310M	E16318M	Exit sign pane (double faced)	
E16311M	E16319M	Exit sign pane (double faced)	
E16263M	E16132M	Exit sign pane	
	E16435	Safety sign fire extinguisher	
E16436	E16436	Safety sign extinguisher hose	
E16437	E16437	Safety sign fire detector	



MULTI-D

Square design housing made of sheet steel in universal versions. Suitable for all variations of mounting. Single or double faced escape route marking by exchangeable pane.

Versions available für wall mounting (single faced), recessed / ceiling mounting, pendant and bracket mounting (double faced)

MOUNTING OPTIONS



MOUNTING OPTIONS WITH EQUIPMENT



TECHNICAL DATA

Housing: Sheet steel, grey (RAL 9006)
Blende: Sheet steel, grey (RAL 9006)
Display pane: Methacrylate
Film: Methacrylate, printed

Service life L_{50}, B_{50} : 50.000 h
Color stability: 3 SDCM



SELF-CONTAINED SUPPLY

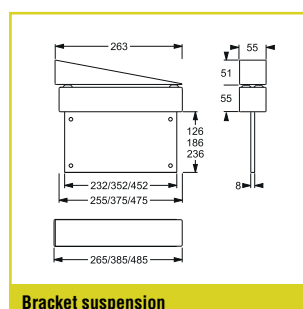
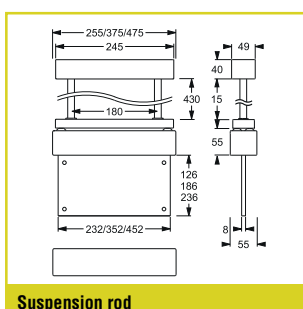
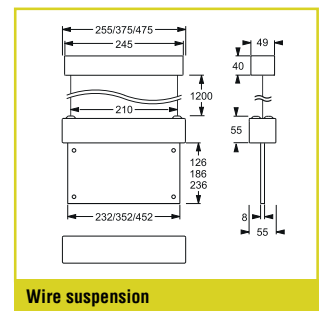
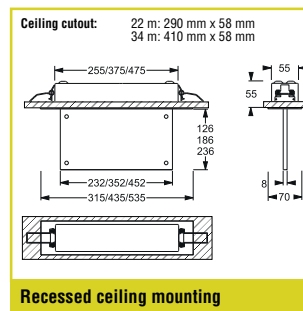
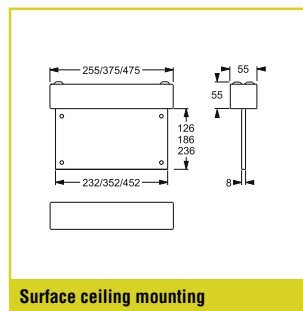
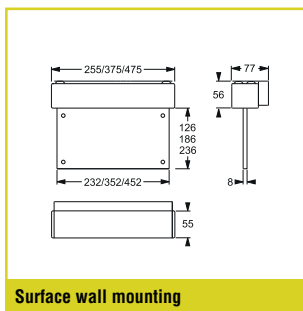
Mains supply: 198 V–254 V/50 Hz
Ambient temperature: Classic: 0 °C to +40 °C
Specification: Maintained or non-maintained mode
Protection class: I

DECENTRAL SUPPLY







Battery supply: 24 V +/- 20% DC
Ambient temperature: -20 °C to +40 °C
Mains supply: 24 V +/- 20% DC
Protection class: III

CENTRAL SUPPLY



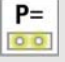
Battery supply: 176 V–254 V
Ambient temperature: -20 °C to +40 °C
Mains supply: 198 V–254 V/50 Hz
Protection class: I






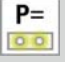
CLASSIC SELF-CONTAINED SUPPLY

Autotest Order code	Logica Order code	Logica FM Order code				 Autotest	 Logica	
Surface wall mounting (single faced indication), surface or recessed ceiling mounting, wire and rod suspension, bracket suspension (double faced indication) ¹								
36238	36239	36240	22 m	24	1h / 3h	NiMh 7.2V / 0.6 Ah	NiMh 7.2V / 1.2 Ah	7 VA
36241	36242	36243	34 m	32	1h / 3h	NiMh 7.2V / 0.6 Ah	NiMh 7.2V / 1.2 Ah	8 VA
36244	36245	36246	44 m	48	1h / 3h	NiMh 7.2V / 0.6 Ah	NiMh 7.2V / 1.2 Ah	10 VA

DECENTRAL SUPPLY

Sicuro24 Order code			
Surface wall mounting (single faced indication), surface or recessed ceiling mounting, wire and rod suspension, bracket suspension (double faced indication) ¹			
32098	22 m	24	2.2 W
32099	34 m	32	4.9 W
32100	44 m	48	4.3 W


CENTRAL SUPPLY

Sicuro230 Order code				
Surface wall mounting (single faced indication), surface or recessed ceiling mounting, wire and rod suspension, bracket suspension (double faced indication) ¹				
31151	22 m	24	5.8 VA / 2.5 W	
31152	34 m	32	7.4 VA / 3.5 W	
31153	44 m	48	9.4 VA / 4.7 W	

Please order mounting equipment separately

Order code	Description		
VD 22 m	VD 34 m	VD 44 m	
F95902	F95903	F95904	Recessed ceiling mounting set
F95905	F95905	F95905	Wire suspension, adjustable length 1.200 mm
F95901	F95901	F95901	Bracket suspension
F95906	F95906	F95906	Suspension rod, round, length 500 mm
F95914	F95915		Concrete ceiling box
F95917	F95198	F95199	Cable cover

Included in standard delivery

Order code	Description		
VD 22 m	VD 34 m	VD 44 m	
E16500M	E16501M	E16502M	Kit of exit sign films 
F95900	F95900	F95900	Adaptor for wall mounting

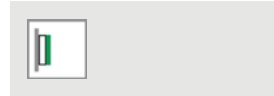


ALU-K

Housing made of flat aluminium profiles with angular contours.
Additional light output in the case of wall mounting. Single or double-sided escape route signage is provided thanks to exchangeable inserts.

Versions for wall mounting or with equipment for ceiling mounting or wire or rod suspension mounting, or mounting on brackets

MOUNTING OPTIONS



MOUNTING OPTIONS WITH EQUIPMENT



TECHNICAL DATA

Housing: Aluminium, anodized
Display pane: Methacrylate, printed

Service life $L_{80, B_{50}}$: 50.000 h
Color stability: 3 SDCM



SELF-CONTAINED SUPPLY

Mains supply:
198 V–254 V/50 Hz

Specification:
Maintained or
non-maintained mode

Ambient temperature:
LTO: -20 °C to +50 °C
Classic: 0 °C to +40 °C

Protection class:
I

DECENTRAL SUPPLY

Battery supply:
24 V +/- 20% DC

Mains supply:
24 V +/- 20% DC

Ambient temperature:
-20 °C to +40 °C

Protection class:
III

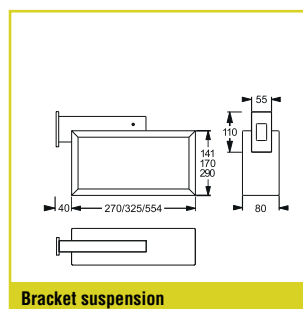
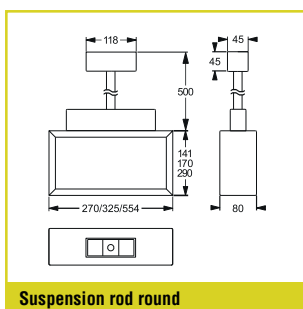
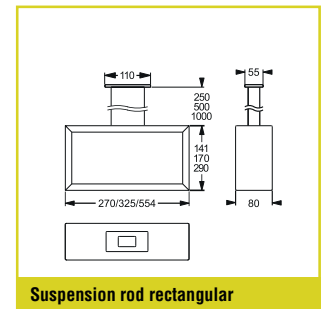
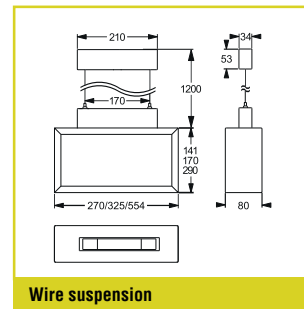
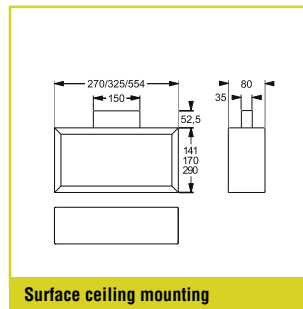
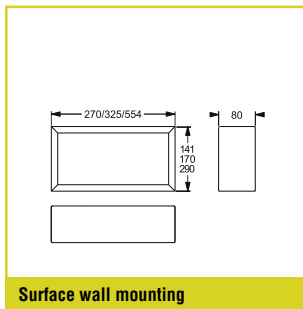
CENTRAL SUPPLY

Battery supply:
176 V–276 V

Mains supply:
198 V–254 V/50 Hz

Ambient temperature:
-20 °C to +40 °C

Protection class:
I





SELF-CONTAINED SUPPLY

Autotest Order code	Logica Order code	Logica FM Order code					
Surface wall mounting (single faced indication)							
37033	37034	37035	24 m	24	1h / 3h / 8h	2 x LTO 7.2 V / 0.5 Ah	4.85 VA
37036	37037	37038	30 m	32	1h / 3h / 8h	2 x LTO 7.2 V / 0.5 Ah	4.85 VA
37039	37040	37041	53 m	48	1h / 3h / 8h	2 x LTO 7.2 V / 0.5 Ah	4.85 VA
Surface ceiling mounting, suspension, bracket suspension (double faced indication) ¹							
37042	37043	37044	24 m	24	1h / 3h / 8h	2 x LTO 7.2 V / 0.5 Ah	4.85 VA
37045	37046	37047	30 m	32	1h / 3h / 8h	2 x LTO 7.2 V / 0.5 Ah	4.85 VA
37048	37049	37050	53 m	48	1h / 3h / 8h	2 x LTO 7.2 V / 0.5 Ah	4.85 VA

CLASSIC SELF-CONTAINED SUPPLY

Autotest Order code	Logica Order code	Logica FM Order code						
Surface wall mounting (single faced indication)								
36033	36034	36035	24 m	24	1h / 3h	NiMh 7.2 V / 0.6 Ah	NiMh 7.2 V / 1.2 Ah	7 VA
36036	36037	36038	30 m	32	1h / 3h	NiMh 7.2 V / 0.6 Ah	NiMh 7.2 V / 1.2 Ah	10 VA
36039	36040	36041	53 m	48	1h / 3h	NiMh 7.2 V / 0.6 Ah	NiMh 7.2 V / 1.2 Ah	10 VA
Surface ceiling mounting, suspension, bracket suspension (double faced indication) ¹								
36042	36043	36044	24 m	24	1h / 3h	NiMh 7.2 V / 0.6 Ah	NiMh 7.2 V / 1.2 Ah	7 VA
36045	36046	36047	30 m	32	1h / 3h	NiMh 7.2 V / 0.6 Ah	NiMh 7.2 V / 1.2 Ah	10 VA
36048	36049	36050	53 m	48	1h / 3h	NiMh 7.2 V / 0.6 Ah	NiMh 7.2 V / 1.2 Ah	10 VA

SICURO^{LED} DECENTRAL SUPPLY

Sicuro24 Order code			
Surface wall mounting (single faced indication)			
32011	24 m	24	2.2 W
32012	30 m	32	2.9 W
32013	53 m	48	4.3 W
Surface ceiling mounting, suspension, bracket suspension (double faced indication) ¹			
32014	24 m	24	2.2 W
32015	30 m	32	2.9 W
32016	53 m	48	4.3 W

SICURO^{LED} CENTRAL SUPPLY

Sicuro230 Order code				
Surface wall mounting (single faced indication)				
31011	24 m	24	5.8 VA / 2.5 W	
31012	30 m	32	7.4 VA / 3.5 W	
31013	53 m	48	9.4 VA / 4.7 W	
Surface ceiling mounting, suspension, bracket suspension (double faced indication) ¹				
31014	24 m	24	5.8 VA / 2.5 W	
31015	30 m	32	7.4 VA / 3.5 W	
31016	53 m	48	9.4 VA / 4.7 W	

Exit sign pane

¹ For surface ceiling mounting, suspension and bracket suspension, please order equipment separately

Please order exit sign equipment separately

Order code	Description		
VD 24 m	VD 30 m	VD 53 m	
E16710M	E16715M	E16720M	Exit sign pane
E16711M	E16716M	E16721M	Exit sign pane
E16712M	E16717M	E16722M	Exit sign pane
E16713	E16718	E16723	Opal plastic pane, white
E16714	E16719	E16724	Opal plastic pane, grey
E16733M	E16725M		Exit sign pane
E16734M	E16726M		Exit sign pane
E16735M	E16727M		Exit sign pane
E16736M	E16728M		Exit sign pane
E16729M	E16730M	E16731M	Exit sign pane
	E16442		Safety sign extinguisher
	E16443		Safety sign fire hose
	E16444		Safety sign fire button

Please order additional equipment separately

Order code	Description		
VD 24 m	VD 30 m	VD 53 m	
F95717	F95717	F95717	Adaptor for ceiling mounting ¹
F95718	F95718	F95718	Suspension rod, rectangular, 250 mm ¹
F95719	F95719	F95719	Suspension rod, rectangular, 500 mm ¹
F95720	F95720	F95720	Suspension rod, rectangular, 1.000 mm ¹
F95722	F95722	F95722	Suspension rod, round, 500 mm ¹
F95723	F95723	F95723	Wire suspension, max. 1.200 mm ¹
F95714	F95721	F95729	Bracket suspension ¹
F95722	F95722	F95722	Suspension rod, round, 500 mm ¹
	F95724		Wire guard

¹ Sheet steel, aluminium grey



KUBUS

Housing made of flat sheet steel profiles with angular contours.
Additional light output in the case of wall mounting. Single or double-sided escape route signage is provided thanks to exchangeable inserts.

Versions for wall mounting or with equipment for ceiling mounting, wire or rod suspension mounting, mounting on brackets and chain/cable mounting

MOUNTING OPTIONS



MOUNTING OPTIONS WITH EQUIPMENT



TECHNICAL DATA

Housing: Sheet steel, white (RAL 9003)
Display pane: Methacrylate, clear

Service life $L_{80}B_{50}$: 50.000 h
Color stability: 3 SDCM



SELF-CONTAINED SUPPLY

Mains supply: 198 V–254 V/50 Hz
Specification: Maintained or non-maintained mode

Ambient temperature: LTO : -20 °C to 50 °C
Classic: 0 °C to +40 °C
Protection class: I

DECENTRAL SUPPLY

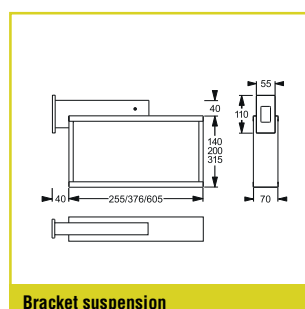
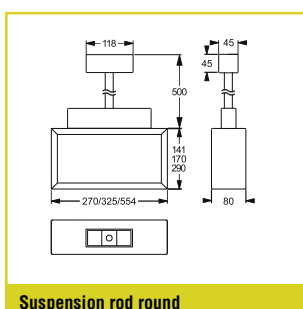
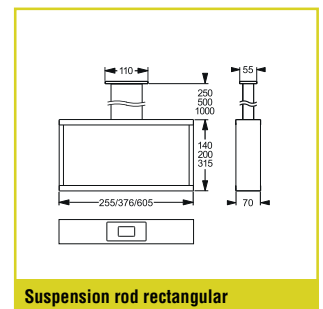
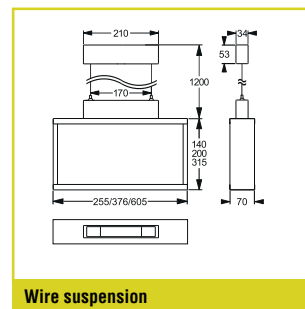
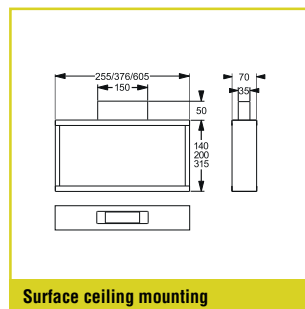
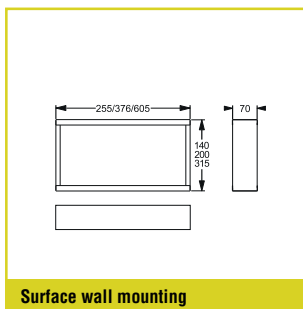
Battery supply: 24 V +/- 20% DC
Mains supply: 24 V +/- 20% DC

Ambient temperature: -20 °C to +40 °C
Protection class: III

CENTRAL SUPPLY

Battery supply: 176 V–276 V
Mains supply: 198 V–254 V/50 Hz

Ambient temperature: -20 °C to +40 °C
Protection class: I





SELF-CONTAINED SUPPLY

Autotest Order code	Logica Order code	Logica FM Order code					
Surface wall mounting (single faced indication)							
37012	37013	37014	21 m	24	1h / 3h / 8h	2 x LTO 7.2 V / 0.5 Ah	4.85 VA
37015	37016	37017	34 m	48	1h / 3h / 8h	2 x LTO 7.2 V / 0.5 Ah	4.85 VA
37018	37019	37020	56 m	48	1h / 3h / 8h	2 x LTO 7.2 V / 0.5 Ah	4.85 VA
Surface ceiling mounting, suspension, bracket suspension, chain or wire suspension (double faced indication) ¹							
37021	37022	37023	21 m	24	1h / 3h / 8h	2 x LTO 7.2 V / 0.5 Ah	4.85 VA
37024	37025	37026	34 m	48	1h / 3h / 8h	2 x LTO 7.2 V / 0.5 Ah	4.85 VA
37027	37028	37029	56 m	48	1h / 3h / 8h	2 x LTO 7.2 V / 0.5 Ah	4.85 VA

CLASSIC SELF-CONTAINED SUPPLY

Autotest Order code	Logica Order code	Logica FM Order code					Autotest	Logica	
Surface wall mounting (single faced indication)									
36012	36013	36014	21 m	24	1h / 3h	NiMH 7.2 V / 0.6 Ah	NiMH 7.2 V / 1.2 Ah	7 VA	
36015	36016	36017	34 m	48	1h / 3h	NiMH 7.2 V / 0.6 Ah	NiMH 7.2 V / 1.2 Ah	10 VA	
36018	36019	36020	56 m	48	1h / 3h	NiMH 7.2 V / 0.6 Ah	NiMH 7.2 V / 1.2 Ah	10 VA	
Surface ceiling mounting, Pendel, Bracket suspension (2-seitige Escape routekennzeichnung) ¹									
36021	36022	36023	21 m	24	1h / 3h	NiMH 7.2 V / 0.6 Ah	NiMH 7.2 V / 1.2 Ah	7 VA	
36024	36025	36026	34 m	48	1h / 3h	NiMH 7.2 V / 0.6 Ah	NiMH 7.2 V / 0.6 Ah	10 VA	
36027	36028	36029	56 m	48	1h / 3h	NiMH 7.2 V / 0.6 Ah	NiMH 7.2 V / 0.6 Ah	10 VA	



DECENTRAL SUPPLY

Sicuro 24 Order code			
Surface wall mounting (single faced indication)			
32004	21 m	24	2.5 W
32005	34 m	48	4.3 W
32006	56 m	48	4.3 W
Surface ceiling mounting, suspension, bracket suspension, chain or wire suspension (double faced indication) ¹			
32007	21 m	24	2.2 W
32008	34 m	48	4.3 W
32009	56 m	48	4.3 W



CENTRAL SUPPLY

Sicuro 230 Order code				
Surface wall mounting (single faced indication)				
31004	21 m	24	5.8 VA / 2.5 W	
31005	34 m	48	9.4 VA / 3.5 W	
31006	56 m	48	9.4 VA / 4.7 W	
Surface ceiling mounting, suspension, bracket suspension, chain or wire suspension (double faced indication) ¹				
31007	21 m	24	5.8 VA / 2.5 W	
31008	34 m	48	9.4 VA / 3.5 W	
31009	56 m	48	9.4 VA / 4.7 W	

¹ For surface ceiling mounting, wire and rod suspension, bracket suspension please order equipment separately

Please order exit sign equipment separately				
Order code	VD 21 m	VD 34 m	VD 56 m	Description
E16604M	E16608M	E16612M	E16616M	Exit sign pane
E16605M	E16609M	E16613M	E16617M	Exit sign pane
E16606M	E16610M	E16614M	E16618M	Exit sign pane
E16620M	E16640M	E16645M	E16647M	Exit sign pane
E16622M	E16642M	E16647M	E16649M	Exit sign pane
E16621M	E16641M	E16646M	E16648M	Exit sign pane
E16623M	E16643M	E16648M	E16650M	Exit sign pane
E16607	E16611	E16234		Opal plastic pane, grey
E16242	E16241	E16251		Opal plastic pane, white

Please order additional equipment separately				
Order code	VD 21 m	VD 34 m	VD 56 m	Description
F95057	F95057	F95057		Adaptor for ceiling mounting
F95600	F95600	F95600		Suspension rod, rectangular, 250 mm
F95601	F95601	F95601		Suspension rod, rectangular, 500 mm
F95602	F95602	F95602		Suspension rod, rectangular, 1.000 mm
F95400	F95400	F95400		Suspension rod, round, 500 mm
F95401	F95401	F95401		Wire suspension, max. 1.200 mm
F95055	F95056	F95070		Bracket suspension
F95067	F95067	F95067		Adaptor for chain or wire suspension
F95032K	F95032K	F95032K		Wire guard

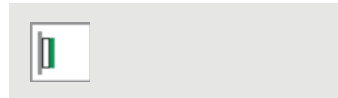


KUBUS65

High protection. Housing made of sheet steel or sheet stainless steel with frame cover and a clear insert. Lighting control is provided by a specular aluminium reflector. Single or double-sided escape route signage is provided thanks to self-adhesive films.

Versions for wall mounting or with equipment for ceiling mounting or wire or rod suspension mounting, or mounting on brackets.

MOUNTING OPTIONS



MOUNTING OPTIONS WITH EQUIPMENT



TECHNICAL DATA

Housing: Sheet steel, white (RAL 9003)
Stainless steel, V2A

Display pane: Methacrylate, clear

Service life L_{80}, B_{50} : 50.000 h

Color stability: 3 SDCM



SELF-CONTAINED SUPPLY

Mains supply: 198 V–254 V/50 Hz

Specification: Maintained or non-maintained mode

Ambient temperature: LTO: -20 °C to +50 °C
Classic: 0 °C to +40 °C

Protection class: I

DECENTRAL SUPPLY

Battery supply: 24 V +/- 20% DC

Mains supply: 24 V +/- 20% DC

Ambient temperature: -20 °C to +40 °C

Protection class: III

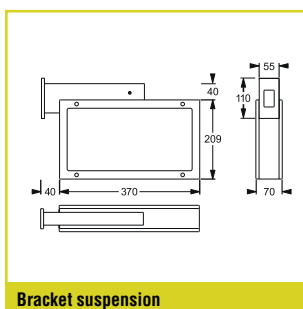
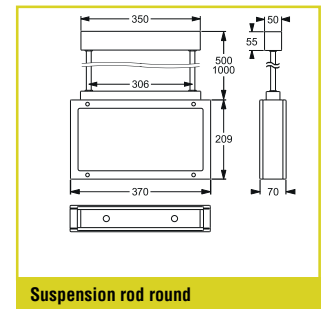
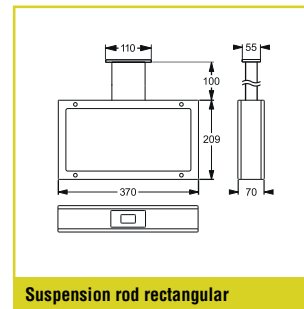
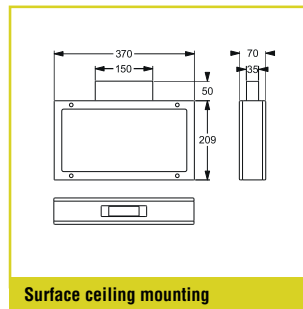
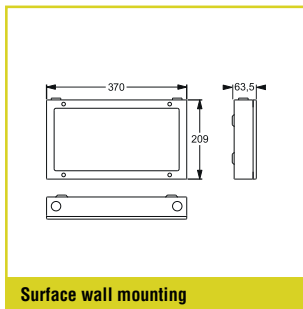
CENTRAL SUPPLY

Battery supply: 176 V–276 V

Mains supply: 198 V–254 V/50 Hz

Ambient temperature: -20 °C to +40 °C

Protection class: I





SELF-CONTAINED SUPPLY

Autotest Order code	Logica Order code	Logica FM Order code					
Surface wall mounting (single faced indication)							
37060	37061	37062	32 m	48	1h / 3h / 8h	2 x LTO 7,2 V / 0,5 Ah	4,85 VA
Surface ceiling mounting, suspension, bracket suspension (double faced indication) ¹							
37063	37064	37065	32 m	48	1h / 3h / 8h	2 x LTO 7,2 V / 0,5 Ah	4,85 VA
Stainless steel V2A surface wall mounting (single faced indication) ¹							
37066	37067	37068	32 m	48	1h / 3h / 8h	2 x LTO 7,2 V / 0,5 Ah	4,85 VA
Surface ceiling mounting, suspension, bracket suspension (double faced indication) ¹							
37069	37070	37071	32 m	48	1h / 3h / 8h	2 x LTO 7,2 V / 0,5 Ah	4,85 VA

CLASSIC SELF-CONTAINED SUPPLY

Autotest Order code	Logica Order code	Logica FM Order code						
Surface wall mounting (single faced indication)								
36060	36061	36062	32 m	48	1h / 3h	NiMH 7,2 V / 0,6 Ah	NiMH 7,2 V / 1,2 Ah	10 VA
Surface ceiling mounting, suspension, bracket suspension (double faced indication) ¹								
36066	36067	36068	32 m	48	1h / 3h	NiMH 7,2 V / 0,6 Ah	NiMH 7,2 V / 1,2 Ah	10 VA
Stainless steel V2A surface wall mounting (single faced indication) ¹								
36072	36073	36074	32 m	48	1h / 3h	NiMH 7,2 V / 0,6 Ah	NiMH 7,2 V / 1,2 Ah	10 VA
Surface ceiling mounting, suspension, bracket suspension (double faced indication) ¹								
36078	36079	36080	32 m	48	1h / 3h	NiMH 7,2 V / 0,6 Ah	NiMH 7,2 V / 1,2 Ah	10 VA

SICURO^{LED} DECENTRAL SUPPLY

Sicuro24 Order code			
Surface wall mounting (single faced indication)			
32020	32 m	48	4,3 W
Surface ceiling mounting, suspension, bracket suspension (double faced indication) ¹			
32021	32 m	48	4,3 W
Stainless steel V2A surface wall mounting (single faced indication) ¹			
32022	32 m	48	4,3 W
Surface ceiling mounting, suspension, bracket suspension (double faced indication) ¹			
32023	32 m	48	4,3 W

SICURO^{LED} CENTRAL SUPPLY

Sicuro230 Order code				
Surface wall mounting (single faced indication)				
31020	32 m	48	9,4 VA / 4,7 W	
Surface ceiling mounting, suspension, bracket suspension (double faced indication) ¹				
31021	32 m	48	9,4 VA / 4,7 W	
Stainless steel V2A surface wall mounting (single faced indication) ¹				
31022	32 m	48	9,4 VA / 4,7 W	
Surface ceiling mounting, suspension, bracket suspension (double faced indication) ¹				
31023	32 m	48	9,4 VA / 4,7 W	

¹ For surface wall mountin and all suspended versions, please order equipment separately

Please order exit sign equipment separately

Order code	Description	
E16700M	Kit of exit sign films	
E16701M	Kit of exit sign films	

Please order additional equipment separately

Order code	Description
White	V2A
F95612	F95613 Adaptor for ceiling mounting
F95603	F95608 Suspension rod, rectangular, 100 mm
F95604	F95609 Suspension rod, round, 500 mm
F95605	F95610 Suspension rod, round, 1.000 mm
F95606	F95611 Bracket suspension
F95607	F95607 Wire guard



ACCIAIO

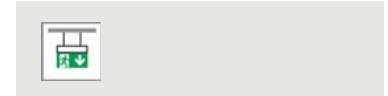
High protection class combined exit sign luminaire / safety luminaire with high impact strength. The housing is made of zinc-coated sheet steel, the caps are made of plastic and the insert is made of tempered glass. The caps and the insert are securely fastened to the housing. Lighting control is provided by a highly reflective aluminium reflector. Single or double-sided escape route signage is provided thanks to exchangeable display inserts. Explosion protection for zone 2 (II 3G Ex nA IIB T4) and zone 22 (II 3D Ex tD A22 T100). Extremely resistant to both mechanical and chemical stress.

Versions for wall mounting and ceiling mounting with swivelling mount or for chain/cable mounting

MOUNTING OPTIONS



MOUNTING OPTIONS WITH EQUIPMENT



TECHNICAL DATA

Housing:	Sheet steel, galvanized, grey (RAL 9003)
Caps:	Polycarbonate / polybutyleneterephthalate, grey (RAL 7040)
Display pane:	Methacrylate
Film:	Methacrylate, printed
Reflector:	Aluminium, specular

Service life $L_{50}B_{50}$:	50.000 h
Color stability:	3 SDCM



SELF-CONTAINED SUPPLY

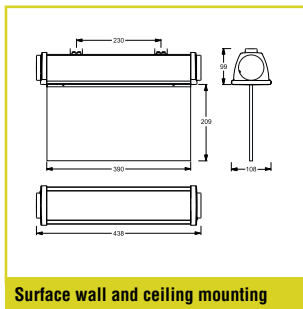
Mains supply: 198 V–254 V/50 Hz	Ambient temperature: LTO: -20 °C to +50 °C Classic: 0 °C to +40 °C
Specification: Maintained or non-maintained mode	Protection class: I

DECENTRAL SUPPLY

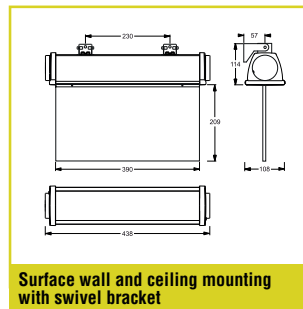
Battery supply: 24 V +/- 20% DC	Ambient temperature: -20 °C to +40 °C
Mains supply: 24 V +/- 20% DC	Protection class: III

CENTRAL SUPPLY

Battery supply: 176V–276V	Ambient temperature: -20 °C to +40 °C
Mains supply: 198V–254V/50Hz	Protection class: I








Surface wall and ceiling mounting









Surface wall and ceiling mounting with swivel bracket



SELF-CONTAINED SUPPLY



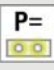
Autotest Order code	Logica Order code	Logica FM Order code					
Surface wall mounting (single faced indication / area lighting), surface ceiling mounting, chain or wire suspension (double faced indication / area lighting)							
37090	37091	37092	38 m	32	1h / 3h / 8h	2 x LTO 7.2 V / 0.5 Ah	4.85 VA

CLASSIC SELF-CONTAINED SUPPLY

Autotest Order code	Logica Order code	Logica FM Order code				 Autotest	 Logica	
Surface wall mounting (single faced indication / area lighting), surface ceiling mounting, chain or wire suspension (double faced indication / area lighting)								
15030	15030	15031	38 m	32	1h / 3h	NiMH 7,2.V / 1.2 Ah	NiMh 7.2V / 1.2 Ah	10 VA




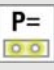


DECENTRAL SUPPLY


Sicuro24 Order code			
Surface wall mounting (single faced indication / area lighting), surface ceiling mounting, chain or wire suspension (double faced indication / area lighting)			
32055	38 m	32	4.3 W



CENTRAL SUPPLY

Sicuro230 Order code				
Surface wall mounting (single faced indication / area lighting), surface ceiling mounting, chain or wire suspension (double faced indication / area lighting)				
31054	38 m	32	9.4 VA / 4.7 W	

Please order exit sign equipment separately

Order code	Description
19064	Kit of exit sign display pane 

Included in standard delivery

Order code	Description
20122	Swivel bracket



FORMULA65

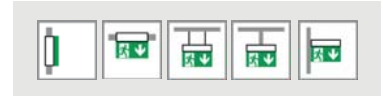
High protection class exit sign luminaire. Housing with convex light-emitting surface and clear cover with click fasteners. Lighting control is provided by a plastic reflector. Single-sided signage (viewing distance 25 m) is provided by self-adhesive exit sign films, double-sided signage (viewing distance 30 m) is provided by an exit sign display insert. The Formula 65 High version comes with a higher Body.

Versions for surface wall mounting and surface ceiling mounting or with additional equipment for recessed wall mounting, recessed ceiling mounting, wire or rod suspension mounting and mounting on brackets

MOUNTING OPTIONS



MOUNTING OPTIONS WITH EQUIPMENT



TECHNICAL DATA

Housing:	Polycarbonate, white (RAL 9003)
Cover:	Polycarbonate, klar
Display pane:	Methacrylate, klar
Film:	Methacrylate, printed
Display pane:	Methacrylate, printed (Kit)
Reflector:	Polycarbonate, white

Service life $L_{80}B_{50}$:	50.000 h
Color stability:	3 SDCM



SELF-CONTAINED SUPPLY

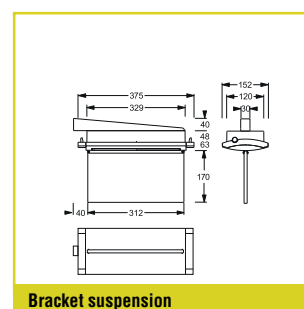
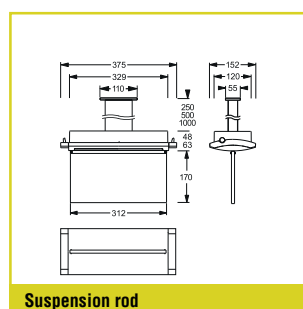
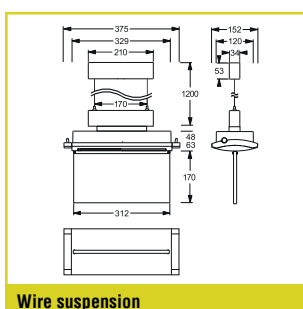
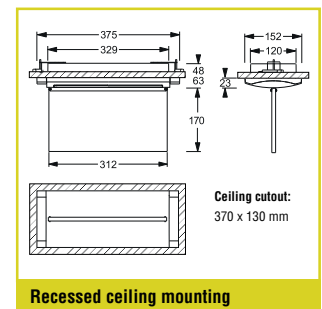
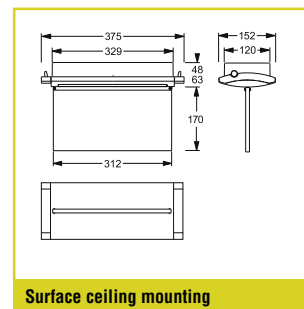
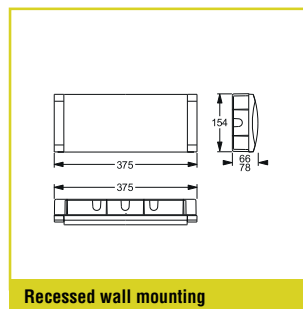
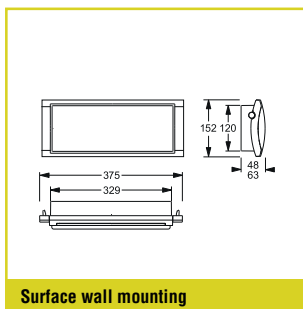
Mains supply: 198 V–254 V/50 Hz	Ambient temperature: LTO: -20 °C to +50 °C Classic: 0 °C to +40 °C
Specification: Maintained or non-maintained mode	Protection class: II

DECENTRAL SUPPLY

Battery supply: 24V +/- 20% DC	Ambient temperature: -20 °C to +40 °C
Mains supply: 24 V +/- 20% DC	Protection class: III

CENTRAL SUPPLY

Battery supply: 176 V–276 V	Ambient temperature: -20 °C to +40 °C
Mains supply: 198V–254V/50Hz	Protection class: II





SELF-CONTAINED SUPPLY

Autotest Order code	Logica Order code	Logica FM Order code					
Surface wall mounting (single faced indication / area lighting), surface or recessed ceiling mounting, suspension and bracket suspension (double faced indication / area lighting) ¹							
19296	19296+15036	19296+15037	25 m	22	1h	2 x LTO 4.8 V / 1.2 Ah	13 VA
19296-3H	19296-3H+15036	19296-3H+15037	25 m	22	3h	2 x LTO 4.8 V / 1.2 Ah	13 VA
19296-8H	19296-8H+15036	19296-8H+15037	25 m	22	8h	2 x LTO 4.8 V / 1.2 Ah	13 VA

CLASSIC SELF-CONTAINED SUPPLY

Autotest Order code	Logica Order code	Logica FM Order code					Autotest	Logica	
Surface wall mounting (single faced indication / area lighting), surface or recessed ceiling mounting, suspension and bracket suspension (double faced indication / area lighting) ¹									
R2436SA	19239	19245	25 m	22	1h / 3h	NiMh 3.6 V / 1.2 Ah	2 x NiMh 3.6 V / 1.2 Ah		8.5 VA
Surface or recessed wall mounting (single faced indication), surface or recessed ceiling mounting, suspension and bracket suspension (double faced indication), Extreme Version ¹									
19270	19270	19276	25 m	22	1h / 3h	NiMh 3.6 V / 1.7 Ah	NiMh 3.6 V / 1.7 Ah		8 VA



DECENTRAL SUPPLY

Sicuro24 Order code			
Surface or recessed wall mounting (single faced indication), surface or recessed ceiling mounting, suspension and bracket suspension (double faced indication), Extreme Version ¹			
32094	25 m	32	3.8 W



CENTRAL SUPPLY

Sicuro230 Order code				
Surface or recessed wall mounting (single faced indication), surface or recessed ceiling mounting, suspension and bracket suspension (double faced indication), Extreme Version ¹				
31124	25 m	32	8.3 VA / 4.1 W	

¹ For recessed wall / ceiling mounting, suspension or bracket suspension mounting please order equipment separately

Included in standard delivery

Order code	Description			
19044	RettungszeichenFilmnset			

Please order exit sign equipment separately

Order code	Description			
VD 25 m	VD 30 m			
29000	Exit sign display pane			
E16040M-KIT-F65	Exit sign display pane			
E16041M-KIT-F65	Exit sign display pane			
E16042M-KIT-F65	Exit sign display pane			
E16043M-KIT-F65	Exit sign display pane			
E16045M-KIT-F65	Exit sign display pane			

Please order additional equipment separately

Order code	Description
VD 25 m	VD 30 m
F95943	F95943 Adaptor for suspension mounting
F95961	F95961 Adaptor for suspension mounting, Extreme Version
F95067	F95067 Adaptor for bracket suspension mounting
F95600	F95600 Suspension rod, rectangular, 250 mm
F95601	F95601 Suspension rod, rectangular, 500 mm
F95602	F95602 Suspension rod, rectangular, 1.000 mm
F95057	F95057 Adaptor for ceiling mounting
19045	19045 Bracket suspension
F95942	F95942 Cover for outdoor bracket suspension
19040	19040 Box for recessed wall mounting
19048	19048 Box for recessed wall mounting, Extreme Version
19041	19041 Box for recessed ceiling mounting
19049	19049 Box for recessed ceiling mounting, Extreme Version

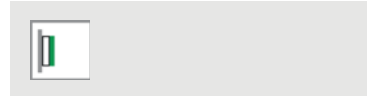


TULA

Flat design housing in sheet steel with convex light-emitting surface and opal display pane. Single or double-sided escape route is provided thanks to exchangeable films.

Versions for surface wall mounting or with additional equipment for surface ceiling and mounting on brackets

MOUNTING OPTIONS



MOUNTING OPTIONS WITH EQUIPMENT



TECHNICAL DATA

Housing: Sheet steel, grey (RAL 9006)
Cover: Methacrylate, opal

Service life $L_{80}B_{50}$: 50.000 h
Color stability: 3 SDCM



DECENTRAL SUPPLY

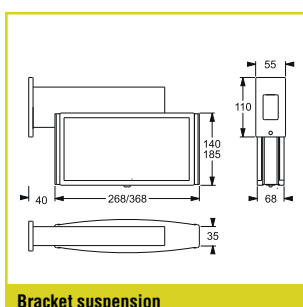
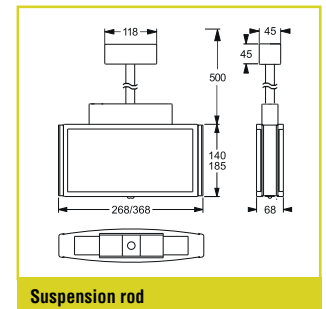
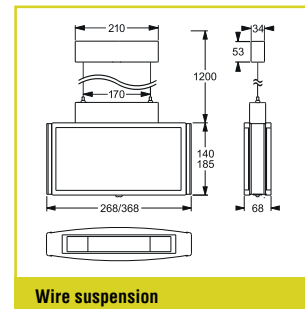
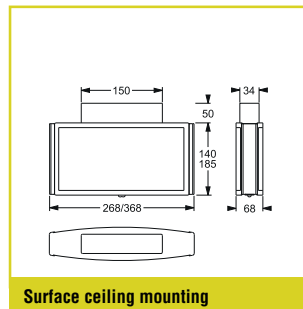
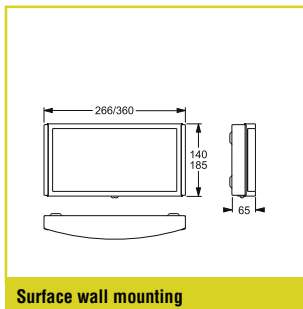
Battery supply:
24 V +/- 20% DC
Mains supply:
24 V +/- 20% DC

Ambient temperature:
-20 °C to +40 °C
S24-Protection class:
III


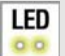

CENTRAL SUPPLY

Battery supply:
176 V-276 V
Mains supply:
198 V-254 V/50 Hz

Ambient temperature:
-20 °C to +40 °C
Protection class:
I



SICURO LED DECENTRAL SUPPLY

Sicuro24 Order code			
-------------------------------	---	---	---

Surface wall mounting (single faced indication)

32025	23 m	24	2.2 W
32027	32 m	48	4.3 W

Surface ceiling mounting, suspension, bracket suspension (double faced indication)¹

32026	23 m	24	2.2 W
32029	32 m	48	4.3 W

¹ For surface ceiling mounting, suspension and bracket suspension please order equipment separately

SICURO LED CENTRAL SUPPLY

Sicuro230 Order code				
--------------------------------	---	---	---	---





Surface wall mounting (single faced indication)

31025	23 m	24	5.8 VA / 2.5 W
31027	32 m	48	9.4 VA / 4.7 W

Surface ceiling mounting, suspension, bracket suspension (double faced indication)¹

31026	23 m	24	5.8 VA / 2.5 W
31029	32 m	48	9.4 VA / 4.7 W

Included in standard delivery

Order code	Description	
VD 23 m	VD 32 m	
F15337MU	F15338MU	Exit sign film 
F15337MR	F15338MR	Exit sign film 
F15337ML	F15338ML	Exit sign film 
F15337MO	F15338MO	Exit sign film 

Please order additional equipment separately

Order code	Description
F95109PK	Adaptor for ceiling mounting
F95109PR	Suspension rod, rectangular, 500 mm
F95109PS	Wire suspension, max. 1.200 mm
F95109P	Bracket suspension



MAXIMA

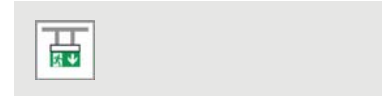
High protection. Body with clear convex shaped cover. Additional down-lighting provided by slots in the body. Single or double-sided escape route signage is provided thanks to exchangeable inserts.

Versions for wall mounting or with equipment for ceiling mounting, wire or rod suspension mounting, mounting on brackets and chain/cable mounting

MOUNTING OPTIONS



MOUNTING OPTIONS WITH EQUIPMENT



TECHNICAL DATA

Housing: Polycarbonate, grey (RAL 7035)
Polyester, grey (RAL 7035)

Display pane: Polycarbonate, clear

Service life $L_{80}B_{90}$: 50.000 h

Color stability: 3 SDCM



SELF-CONTAINED SUPPLY

Mains supply: 198 V–254 V/50 Hz

Specification: Maintained or non-maintained mode

Ambient temperature: LTO : -20 °C to 50 °C
Classic: 0 °C to +40 °C

Protection class: II

DECENTRAL SUPPLY

Battery supply: 24 V +/- 20% DC

Mains supply: 24 V +/- 20% DC

Ambient temperature: -20 °C to +40 °C

Protection class: III

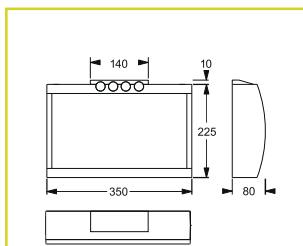
CENTRAL SUPPLY

Battery supply: 176 V–276 V

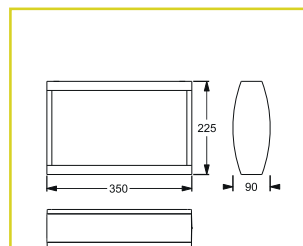
Mains supply: 198 V–254 V/50 Hz

Ambient temperature: -20 °C to +40 °C

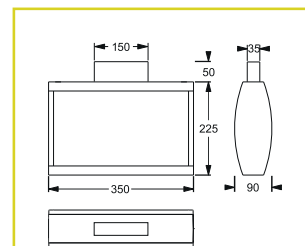
Protection class: II



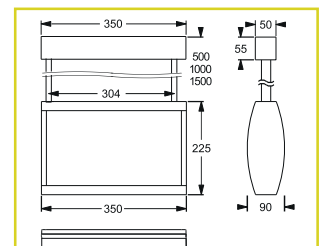
Surface wall mounting



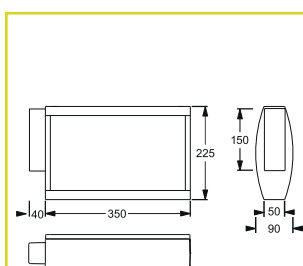
Surface ceiling mounting



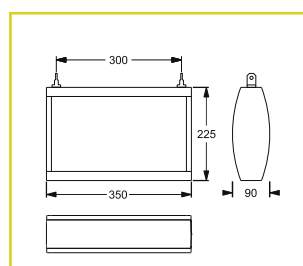
Surface ceiling mounting adaptor



Suspension rod



Bracket suspension



Chain or wire suspension



SELF-CONTAINED SUPPLY

Autotest Order code	Logica Order code	Logica FM Order code					
Surface wall mounting (single faced indication)							
37054	37055	37056	32 m	2	1h / 3h / 8h	2 x LTO 7.2 V / 0.5 Ah	4.85 VA
Surface ceiling mounting, suspension, bracket suspension, chain or wire (double faced indication) ¹							
37057	37058	37059	32 m	2	1h / 3h / 8h	2 x LTO 7.2 V / 0.5 Ah	4.85 VA

CLASSIC SELF-CONTAINED SUPPLY

Autotest Order code	Logica Order code	Logica FM Order code					Autotest	Logica	
Surface wall mounting (single faced indication)									
36054	36055	36056	32 m	2	1h / 3h	NiMh 7.2 V / 0.6 Ah	NiMh 7.2 V / 1.2 Ah		8 VA
Surface ceiling mounting, suspension, bracket suspension, chain or wire (double faced indication) ¹									
36057	36058	36059	32 m	2	1h / 3h	NiMh 7.2 V / 0.6 Ah	NiMh 7.2 V / 1.2 Ah		8 VA



DECENTRAL SUPPLY

Sicuro24 Order code			
Surface wall mounting (single faced indication)			
32018	32 m	2	2.9 W
Surface ceiling mounting, suspension, bracket suspension, chain or wire (double faced indication) ¹			
32019	32 m	2	2.9 W



CENTRAL SUPPLY

Sicuro230 Order code				
Surface wall mounting (single faced indication)				
31018	32 m	2	7.4 VA / 3.5 W	
Surface ceiling mounting, suspension, bracket suspension, chain or wire (double faced indication) ¹				
31019	32 m	2	7.4 VA / 3.5 W	

¹For suspension and chain or wire suspension, please order equipment separately

Please order exit sign equipment separately

Order code	Description	
29002	Kit of exit sign film	
16917M	Kit of exit sign film	

Please order additional equipment separately

Order code	Description
F95700	Adaptor for ceiling mounting and visible conduits
F95510	Suspension rod, round, 500 mm
F95511	Suspension rod, round, 1.000 mm
F95512	Suspension rod, round, 1.500 mm
3723	Adaptor for chain or wire suspension
F95032K	Wire guard

Included in standard delivery

Order code	Description	
29001	Kit of exit sign film	



AESTETICA

Housing has a compact design with planar light-emitting surface and a clear insert. Lighting control is provided by a plastic reflector. Single-sided escape route signage is provided thanks to exchangeable display films, double-sided escape route signage is provided by exchangeable display inserts.

Versions for surface wall mounting and surface ceiling mounting or with additional equipment for recessed wall mounting, recessed ceiling mounting and bracket suspension mounting

MOUNTING OPTIONS



MOUNTING OPTIONS WITH EQUIPMENT



TECHNICAL DATA

Housing: Polycarbonate, white (RAL 9003)
Cover: Polycarbonate, clear
Display pane: Methacrylate, printed
Reflector: Polycarbonate, white

Service life $L_{80B_{50}}$: 50.000 h
Color stability: 3 SDCM



SELF-CONTAINED SUPPLY

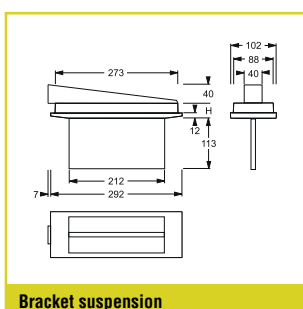
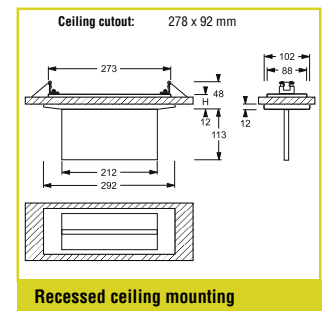
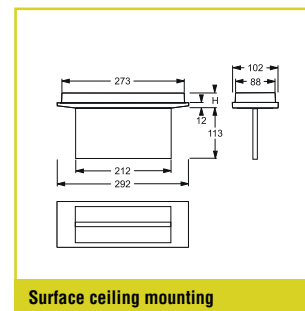
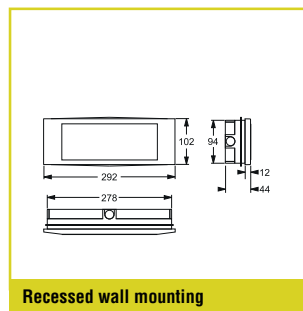
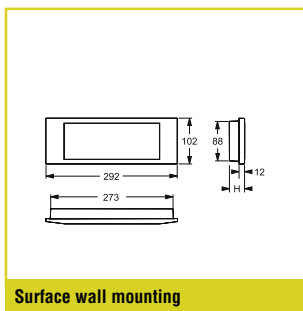
Mains supply: 198 V–254 V/50 Hz
Ambient temperature: Classic: 0 °C to +40 °C
Specification: Maintained or non-maintained mode
Protection class: II

DECENTRAL SUPPLY

Battery supply: 24 V +/- 20% DC
Ambient temperature: -20 °C to +40 °C
Mains supply: 24 V +/- 20% DC
Protection class: III

CENTRAL SUPPLY

Battery supply: 176 V–276 V
Ambient temperature: -20 °C to +40 °C
Mains supply: 198 V–254 V/50 Hz
Protection class: II



CLASSIC SELF-CONTAINED SUPPLY

Autotest
Order code



Surface or recessed wall mounting (single faced indication), surface or recessed ceiling mounting (double faced indication), suspension and bracket suspension (double faced indication)¹

16225	15 m	16	3h	NiMh 3.6V / 1.2 Ah	11 VA
16226	15 m	32	3h	2 x NiMh 3.6V / 1.2 Ah	11 VA

SICURO^{LED} DECENTRAL SUPPLY

Sicuro24
Order code

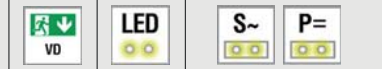


Surface or recessed wall mounting (single faced indication), surface or recessed ceiling mounting (double faced indication), suspension and bracket suspension (double faced indication)¹

32069	15 m	20	1.7 W
-------	------	----	-------

SICURO^{LED} CENTRAL SUPPLY

Sicuro230
Order code



Surface or recessed wall mounting (single faced indication), surface or recessed ceiling mounting (double faced indication), suspension and bracket suspension (double faced indication)¹

31098	15 m	20	4.8 VA / 1.8 W
-------	------	----	----------------

¹ For recessed wall / ceiling mounting in cavity walls or hollow ceilings, please order required equipment separately

Please order exit sign equipment separately

Order code	Description	
VD 15 m	VD 20 m	
16235	Exit sign film	
16236	Exit sign film	
16237	Exit sign film	
16233	Exit sign display pane	
16234	Exit sign display pane	

Please order additional equipment separately

Order code	Description
4265	Bracket suspension
3733	Kit for recessed wall mounting
4266	Kit for recessed ceiling mounting

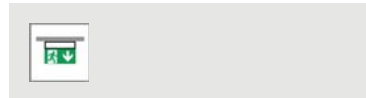


QUADER

Square housing with cuboid-shaped opal cover. Single, double, or triple-sided escape route signage is provided thanks to self-adhesive films.

Versions for ceiling mounting or with additional equipment for wire or rod suspension mounting and chain/cable mounting

MOUNTING OPTIONS



MOUNTING OPTIONS WITH EQUIPMENT



TECHNICAL DATA

Housing: Sheet steel, white (RAL 9003)
Cover: Methacrylate, opal

Service life $L_{80}B_{50}$: 50.000 h
Color stability: 3 SDCM



SELF-CONTAINED SUPPLY

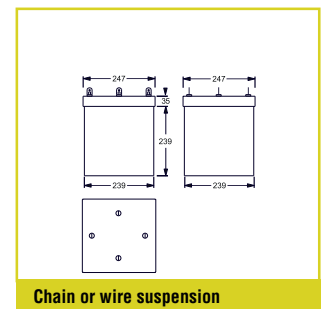
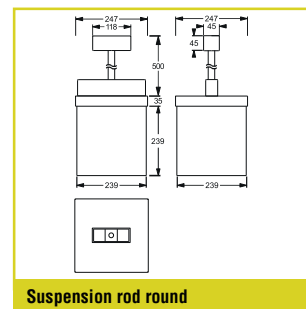
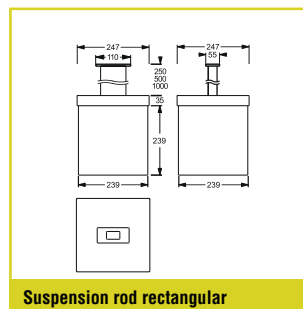
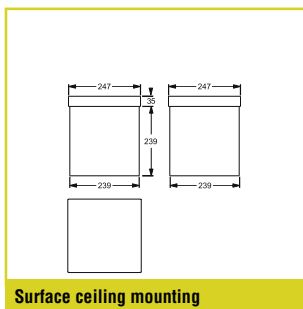
Mains supply: 198 V–254 V/50 Hz
Specification: Maintained or non-maintained mode
Ambient temperature: LTO: -20 °C to +50 °C
 Classic 0 °C to +40 °C
Protection class: I

DECENTRAL SUPPLY

Battery supply: 24 V +/- 20% DC
Mains supply: 24 V +/- 20% DC
Ambient temperature: -20 °C to +40 °C
Protection class: III

CENTRAL SUPPLY

Battery supply: 176 V–276 V
Mains supply: 198 V–254 V/50 Hz
Ambient temperature: -20 °C to +40 °C
Protection class: I





SELF-CONTAINED SUPPLY

Autotest Order code	Logica Order code	Logica FM Order code					
------------------------	----------------------	-------------------------	--	--	--	--	--

Surface ceiling mounting, suspension, chain or wire suspension (3-sided escape route lighting)¹

37072	37073	37074	22 m / 44 m	2	1h / 3h / 8h	2 x LTO 7.2 V / 0.5 Ah	4.85 VA
-------	-------	-------	-------------	---	--------------	------------------------	---------

CLASSIC SELF-CONTAINED SUPPLY

Autotest Order code	Logica Order code	Logica FM Order code						
------------------------	----------------------	-------------------------	--	--	--	--	--	--

Surface ceiling mounting, suspension, chain or wire suspension (3-sided escape route lighting)¹

36084	36085	36086	22 m / 44 m	2	1h / 3h	NiMh 7.2V / 0.6 Ah	NiMh 7.2V / 1.2 Ah	10 VA
-------	-------	-------	-------------	---	---------	--------------------	--------------------	-------



DECENTRAL SUPPLY

Sicuro24 Order code			
------------------------	--	--	--

Surface ceiling mounting, suspension, chain or wire suspension (3-sided escape route lighting)¹

32024	22 m / 44 m	2	4.3 W
-------	-------------	---	-------



CENTRAL SUPPLY

Sicuro230 Order code				
-------------------------	--	--	--	--

Surface ceiling mounting, suspension, chain or wire suspension (3-sided escape route lighting)¹

31024	22 m / 44 m	2	9.4 VA / 4.7 W
-------	-------------	---	----------------

¹ For surface mounting and all suspended versions, please order required equipment separately

Please order exit sign equipment separately	
Order code	Description
VD 22 m	VD 44 m
F15330M	F15325M Exit sign film
F15331M	F15326M Exit sign film
F15332M	F15327M Exit sign film
F15329M	F15328M Exit sign film

Please order additional equipment separately	
Order code	Description
F95210	Adaptor for suspension rod
F95600	Suspension rod, rectangular, 250 mm
F95601	Suspension rod, rectangular, 500 mm
F95400	Suspension rod, round, 500 mm
F95406	Adaptor for chain or wire suspension



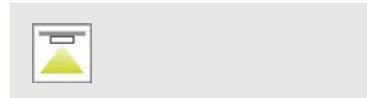
PLURALUCE

Flat design housing in sheet steel and Polycarbonate cover.

High-power LED with lighting control through special lenses for asymmetrically-emitted light distribution (illumination of paths with 1 lx), symmetrically emitted light distribution (illumination of surfaces with 0.5 lx) and 1-sided asymmetrically-emitted light distribution (illumination of safety device with 5 lx).

Versions for surface ceiling mounting

MOUNTING OPTIONS



TECHNICAL DATA

Housing: Sheet steel
Cover: Polycarbonate, white (RAL 9010)¹
Lens: Methacrylate, clear

Service life $L_{80}B_{20}$: 50.000 h
Color stability: 3 SDCM

¹ Cover in other colors on request



SELF-CONTAINED SUPPLY

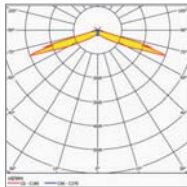
Mains supply: 198 V–254 V/50 Hz
Specification: Maintained or non-maintained mode
Ambient temperature: LTO: -20 °C to +50 °C
 Classic: 0 °C to +40 °C
Protection class: I

DECENTRAL SUPPLY

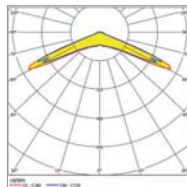
Battery supply: 24V +/- 20% DC
Mains supply: 24 V +/- 20% DC
Ambient temperature: -20 °C to +40 °C
Protection class: III

CENTRAL SUPPLY

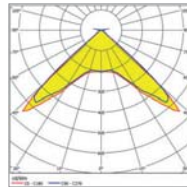
Battery supply: 176 V–276 V
Mains supply: 198 V–254 V/50 Hz
Ambient temperature: -20 °C to +40 °C
Protection class: I



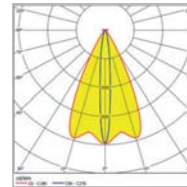
Asymmetric wide beam



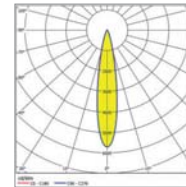
Symmetric wide beam to 3,5 m



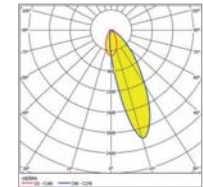
Symmetric wide beam to 7 m



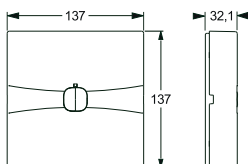
Asymmetric deep beam



Symmetric deep beam



One sided asymmetric



Surface ceiling mounting



SELF-CONTAINED SUPPLY

Autotest Order code	Logica Order code	Logica FM Order code	LED	Φ 1h	Φ 3h	Φ 8h		S~
------------------------	----------------------	-------------------------	-----	------	------	------	--	----

Surface ceiling mounting suitable for escape route lighting

37076	37078	37080	1	261 lm	176 lm	42 lm	2 x LTO 7.2 V / 0.5 Ah	4.85 VA
-------	-------	-------	---	--------	--------	-------	------------------------	---------

Surface ceiling mounting suitable for area lighting with 2 changeable lenses

37075	37077	37079	1	255 / 285 lm	147 / 165 lm	41 / 46 lm	2 x LTO 7.2 V / 0.5 Ah	4.85 VA
-------	-------	-------	---	--------------	--------------	------------	------------------------	---------

CLASSIC SELF-CONTAINED SUPPLY

Autotest Order code	Logica Order code	Logica FM Order code	LED	Φ 1h	Φ 3h	Autotest	Logica	S~
------------------------	----------------------	-------------------------	-----	------	------	----------	--------	----

Surface ceiling mounting suitable for escape route lighting

16733	16735	16737	1	261 lm	176 lm	NimH 7.2V / 1.2 Ah	NimH 7.2V / 1.2 Ah	8 VA
-------	-------	-------	---	--------	--------	--------------------	--------------------	------

Surface ceiling mounting suitable for area lighting with 2 changeable lenses

16732	16734	16736	1	255 lm	172 lm	NimH 7.2V / 1.2 Ah	NimH 7.2V / 1.2 Ah	8 VA
-------	-------	-------	---	--------	--------	--------------------	--------------------	------



DECENTRAL SUPPLY

Sicuro24 Order code	LED	Φ	P=
------------------------	-----	---	----

Surface ceiling mounting suitable for escape route lighting

32037	1	261 lm	3.8 W
-------	---	--------	-------

Surface ceiling mounting suitable for area lighting with 2 changeable lenses

32036	1	255 / 285 lm	3.8 W
-------	---	--------------	-------



CENTRAL SUPPLY

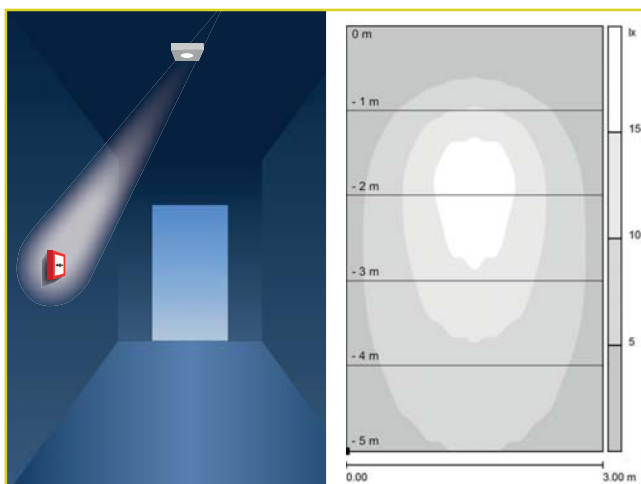
Sicuro230 Order code	LED	Φ	S~	P=
-------------------------	-----	---	----	----

Surface ceiling mounting suitable for escape route lighting

31037	1	255 / 285 lm	8.3 VA / 4.1 W
-------	---	--------------	----------------

Surface ceiling mounting suitable for area lighting with 2 changeable lenses

31036	1	261 lm	8.3 VA / 4.1 W
-------	---	--------	----------------



Illumination of safety devices

Please order additional equipment separately

Order code	Description
F95807	Narrow beam lens for surface / recessed ceiling mounted luminaires (area lighting) for escape route lighting at mounting heights > 7.5 m
F95808	Narrow beam lens for surface / recessed ceiling mounted luminaires (area lighting) for area lighting at mounting heights > 7.5 m
F95815	Asymmetrical lens for surface / recessed ceiling mounted luminaires (area lighting) for illumination of the safety devices with 5 lx
19346	Diffusor lens
F95812	Sheet steel square cover, white RAL 9010 (escape route lighting)
F95811	Sheet steel square cover, white RAL 9010 (area lighting)
F95804	Stainless steel round cover (escape route lighting)
F95803	Stainless steel round cover (area lighting)



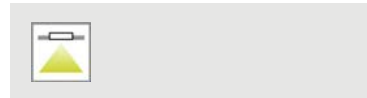
PLURALUCE

Flat design housing in sheet steel and Polycarbonate cover.

High-power LED with lighting control through special lenses for asymmetrically-emitted light distribution (illumination of paths with 1 lx), symmetrically emitted light distribution (illumination of surfaces with 0.5 lx) and 1-sided asymmetrically-emitted light distribution (illumination of safety device with 5 lx).

Versions for recessed ceiling mounting

MOUNTING OPTIONS



TECHNICAL DATA

Housing: Sheet steel, white (RAL 9010)
Cover: Polycarbonate, white (RAL 9010)^{1 2}
Lens: Methacrylate, clear

Service life $L_{80, B_{20}}$: 50.000 h
Color stability: 3 SDCM

¹ Cover in other colors on request

² Square cover for recessed ceiling mounting (RAL 9003) please order separately



SELF-CONTAINED SUPPLY

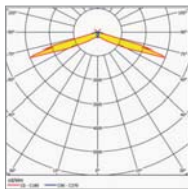
Mains supply: 198 V–254 V/50 Hz
Specification: Maintained or non-maintained mode
Ambient temperature: LTO: -20 °C to +50 °C
 Classic: 0 °C to +40 °C
Protection class: I

DECENTRAL SUPPLY

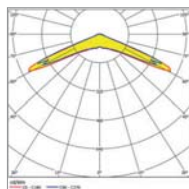
Battery supply: 24 V +/- 20% DC
Mains supply: 24 V +/- 20% DC
Ambient temperature: -20 °C to +40 °C
Protection class: III

CENTRAL SUPPLY

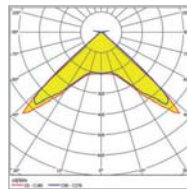
Battery supply: 176 V–276 V
Mains supply: 198 V–254 V/50 Hz
Ambient temperature: -20 °C to +40 °C
Protection class: I



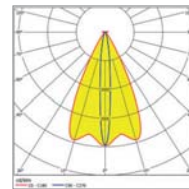
Asymmetric wide beam



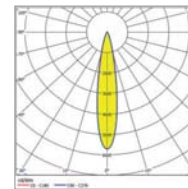
Symmetric wide beam to 3,5 m



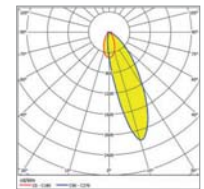
Symmetric wide beam to 7 m



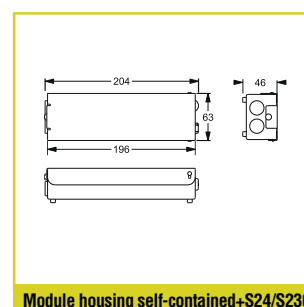
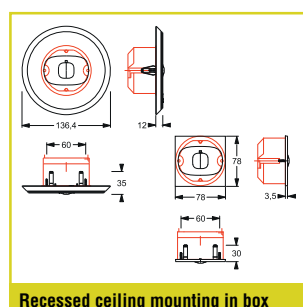
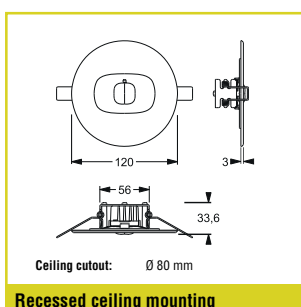
Asymmetric deep beam



Symmetric deep beam



One sided asymmetric





SELF-CONTAINED SUPPLY

Autotest Order code	Logica Order code	Logica FM Order code	LED	Φ 1h	Φ 3h	Φ 8h		S~
------------------------	----------------------	-------------------------	-----	------	------	------	--	----

Recessed ceiling mounting for escape route lighting

37082	37084	37086	1	261 lm	176 lm	42 lm	2x LTO 7.2 V / 0.5 Ah	4.85 VA
-------	-------	-------	---	--------	--------	-------	-----------------------	---------

Recessed ceiling mounting suitable for area lighting with 2 changeable lenses

37081	37083	37085	1	255 / 285 lm	147 / 165 lm	41 / 46 lm	2x LTO 7.2 V / 0.5 Ah	4.85 VA
-------	-------	-------	---	--------------	--------------	------------	-----------------------	---------

CLASSIC SELF-CONTAINED SUPPLY

Autotest Order code	Logica Order code	Logica FM Order code	LED	Φ 1h	Φ 3h	Autotest	Logica	S~
------------------------	----------------------	-------------------------	-----	------	------	----------	--------	----

Recessed ceiling mounting for escape route lighting

16749	16751	16753	1	261 lm	176 lm	NimH 7.2V / 1.2 Ah	NimH 7.2V / 1.2 Ah	8 VA
-------	-------	-------	---	--------	--------	--------------------	--------------------	------

Recessed ceiling mounting suitable for area lighting with 2 changeable lenses

16748	16750	16752	1	255 / 285 lm	172 / 192 lm	NimH 7.2V / 1.2 Ah	NimH 7.2V / 1.2 Ah	8 VA
-------	-------	-------	---	--------------	--------------	--------------------	--------------------	------


 DECENTRAL SUPPLY

Sicuro24 Order code	LED	Φ	P=
------------------------	-----	---	----

Recessed ceiling mounting for escape route lighting

32039	1	261 lm	3.8 W
32041 ¹	1	261 lm	3.8 W

Recessed ceiling mounting suitable for area lighting with 2 changeable lenses

32038	1	255 / 285 lm	3.8 W
32040 ¹	1	255 / 285 lm	3.8 W


 CENTRAL SUPPLY

Sicuro230 Order code	LED	Φ	S~	P=
-------------------------	-----	---	----	----

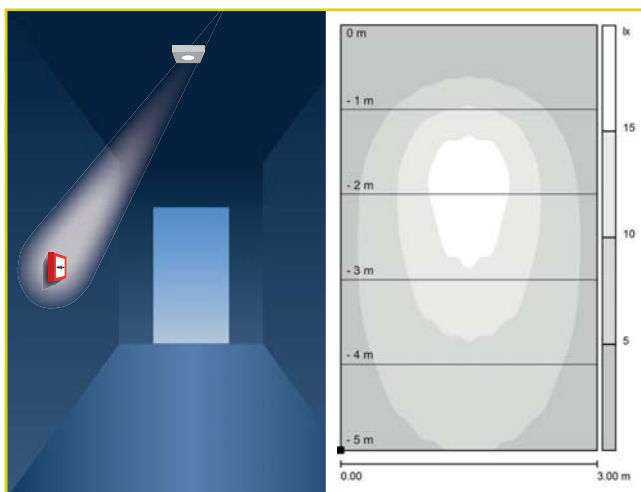
Recessed ceiling mounting for escape route lighting

31039	1	261 lm	8.3 VA / 4.1 W
-------	---	--------	----------------

Recessed ceiling mounting suitable for area lighting with 2 changeable lenses

31038	1	255 / 285 lm	8.3 VA / 4.1 W
-------	---	--------------	----------------

¹ Version for recessed mounting in fire protection ceilings wire fire resistance class F30 or F90 according to DIN 4102-4. The required device approval approved by the DIBT, e.g. Kaiser-Elektro, article no. 9464-50, is not included



Illumination of safety devices

Please order additional equipment separately

Order code	Description
F95807	Narrow beam lens for surface / recessed ceiling mounted luminaires (area lighting) for escape route lighting at mounting heights > 7.5 m
F95808	Narrow beam lens for surface / recessed ceiling mounted luminaires (area lighting) for area lighting at mounting heights > 7.5 m
F95815	Asymmetrical lens for surface / recessed ceiling mounted luminaires (area lighting) for illumination of the safety devices with 5 lx
F95812	Sheet steel square cover, white RAL 9010 (escape route lighting)
F95811	Sheet steel square cover, white RAL 9010 (area lighting)
F95814	Square cover in sheet steel for installation boxes (ds), white RAL 9010 (escape route lighting)
F95813	Square cover in sheet steel installation boxes (ds), white RAL 9010 (area lighting)
F95804	Stainless steel round cover (escape route lighting)
F95803	Stainless steel round cover (area lighting)

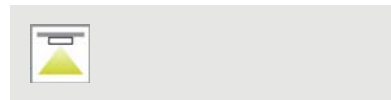


PLURALUCE65

Flat design housing and cover in stainless steel. High-power LED with lighting control through special lenses for asymmetrically-emitted light distribution (illumination of paths with 1 lx), or for symmetrically emitted light distribution (illumination of surfaces with 0.5 lx)

Versions for wall mounting or ceiling mounting

MOUNTING OPTIONS



TECHNICAL DATA

Housing:	Stainless steel, V2A white (RAL 9003) Stainless steel, V2A	Service life $L_{80B_{20}}$:	50.000 h
Cover:	Methacrylate, klar	Color stability:	3 SDCM
Lens:	Methacrylate, klar		

SELF-CONTAINED SUPPLY

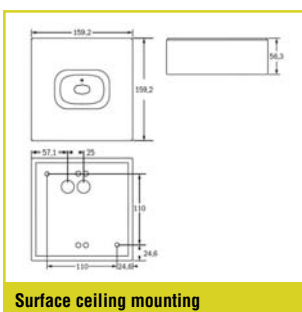
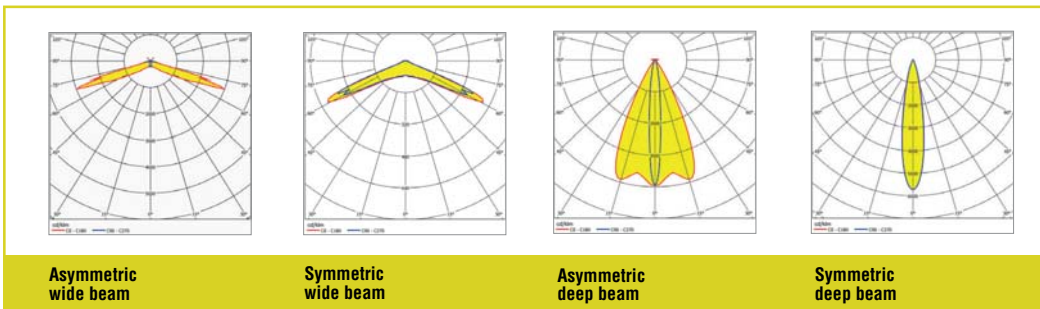
Specification: Maintained or non-maintained mode	Ambient temperature: LTO: -20 °C to +50 °C Classic: 0 °C to +40 °C
Mains supply: 198 V–254 V/50 Hz	Protection class: I

DECENTRAL SUPPLY

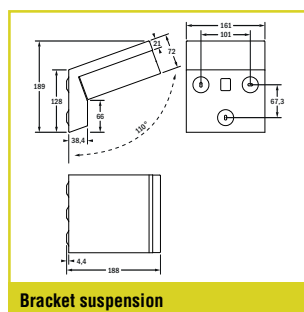
Battery supply: 24V +/- 20% DC	Ambient temperature: -20 °C to +40 °C
Mains supply: 24 V +/- 20% DC	Protection class: III

CENTRAL SUPPLY

Battery supply: 176V–276V	Ambient temperature: -20 °C to +40 °C
Mains supply: 198V–254V/50Hz	Protection class: I



Surface ceiling mounting



Bracket suspension



SELF-CONTAINED SUPPLY

Autotest Order code	Logica Order code	Logica FM Order code	LED	Φ 1h	Φ 3h	Φ 8h		S~
Wall mounted ¹ / ceiling mounted suitable for escape route lighting, stainless steel white								
37186	37187	37188	1	238 lm	137 lm	38 lm	2 x LTO 7.2 V / 0.5 Ah	4.85 VA
Wall mounted ¹ / ceiling mounted suitable for escape route lighting, stainless steel, V2A								
37192	37193	37194	1	238 lm	137 lm	38 lm	2 x LTO 7.2 V / 0.5 Ah	4.85 VA
Surface wall mounting ¹ / surface ceiling mounting suitable for area lighting, stainless steel white								
37183	37184	37185	1	240 lm	139 lm	39 lm	2 x LTO 7.2 V / 0.5 Ah	4.85 VA
Surface wall mounting ¹ / surface ceiling mounting suitable for area lighting, stainless steel, V2A								
37189	37190	37191	1	240 lm	139 lm	39 lm	2 x LTO 7.2 V / 0.5 Ah	4.85 VA

CLASSIC SELF-CONTAINED SUPPLY

Autotest Order code	Logica Order code	Logica FM Order code	LED	Φ 1h	Φ 3h	Autotest	Logica	S~
Wall mounted ¹ / ceiling mounted suitable for escape route lighting, stainless steel white								
36090	36091	36092	1	238 lm	160 lm	NiMH 7,2V / 1,2 Ah	NiMH 7,2V / 1,2 Ah	8 VA
Wall mounted ¹ / ceiling mounted suitable for escape route lighting, stainless steel, V2A								
36096	36097	36098	1	238 lm	160 lm	NiMH 7,2V / 1,2 Ah	NiMH 7,2V / 1,2 Ah	8 VA
Surface wall mounting ¹ / surface ceiling mounting suitable for area lighting, stainless steel white								
36087	36088	36089	1	240 lm	162 lm	NiMH 7,2V / 1,2 Ah	NiMH 7,2V / 1,2 Ah	8 VA
Surface wall mounting ¹ / surface ceiling mounting suitable for area lighting, stainless steel, V2A								
36093	36094	36095	1	240 lm	162 lm	NiMH 7,2V / 1,2 Ah	NiMH 7,2V / 1,2 Ah	8 VA



DECENTRAL SUPPLY

Sicuro24 Order code	LED	Φ	P=
Wall mounted ¹ / ceiling mounted suitable for escape route lighting, stainless steel white			
32044	1	238 lm	4.1 W
Version in stainless steel, V2A			
32046	1	238 lm	4.1 W
Version deep beam, stainless steel, V2A white			
32048	1	225 lm	4.1 W
Version deep beam, stainless steel, V2A			
32050	1	225 lm	4.1 W
Surface wall mounting ¹ / surface ceiling mounting suitable for area lighting, stainless steel white			
32043	1	240 lm	4.1 W
Version in stainless steel, V2A			
32045	1	240 lm	4.1 W
Version deep beam, stainless steel, V2A white			
32047	1	270 lm	4.1 W
Version deep beam, stainless steel, V2A			
32049	1	270 lm	4.1 W



CENTRAL SUPPLY

Sicuro230 Order code	LED	Φ	S~	P=
Wall mounted ¹ / ceiling mounted suitable for escape route lighting, stainless steel white				
31042	1	238 lm	8.3VA / 4.1 W	
Version in stainless steel, V2A				
31044	1	238 lm	8.3VA / 4.1 W	
Version deep beam, stainless steel, V2A white				
31046	1	225 lm	8,3VA / 4,1 W	
Version deep beam, stainless steel, V2A				
31048	1	225 lm	8.3VA / 4.1 W	
Surface wall mounting ¹ / surface ceiling mounting suitable for area lighting, stainless steel white				
31041	1	240 lm	8.3VA / 4.1 W	
Version in stainless steel, V2A				
31043	1	240 lm	8.3VA / 4.1 W	
Version deep beam, stainless steel, V2A white				
31045	1	270 lm	8.3VA / 4.1 W	
Version deep beam, stainless steel, V2A				
31047	1	270 lm	8.3VA / 4.1 W	

¹ For surface wall mounting please order additional equipment separately

Order code	Description	Order code	Description
F95806-RAL9003	Bracket suspension, V2A white	F95806-INOX	Bracket suspension, V2A

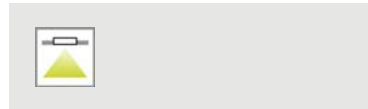


PLURALUCE65

High protection. Flat design housing and cover in stainless steel. High-power LED with lighting control through special lenses for asymmetrically-emitted light distribution (illumination of paths with 1 lx), or for symmetrically emitted light distribution (illumination of surfaces with 0.5 lx).

Versions for recessed ceiling mounting

MOUNTING OPTIONS



TECHNICAL DATA

Housing:	Stainless steel, white (RAL 9003) Stainless steel, V2A	Service life $L_{-80, B_{20}}$:	50.000 h
Cover:	Methacrylate, clear	Color stability:	3 SDCM
Lens:	Methacrylate, clear		



SELF-CONTAINED SUPPLY

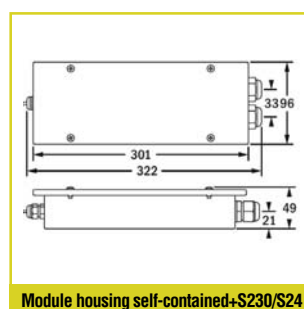
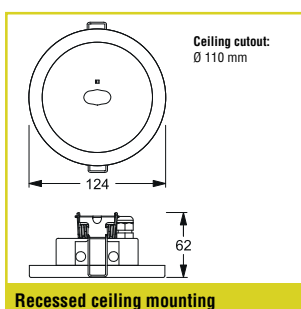
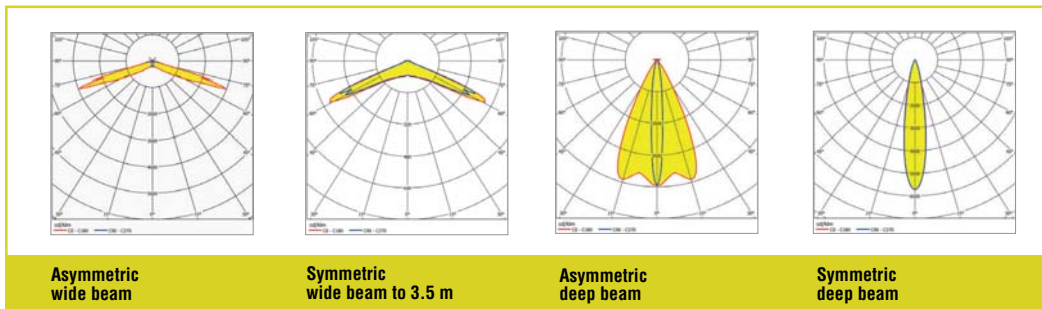
Mains supply: 198V–254V/50Hz	Ambient temperature: LTO: -20 °C to +50 °C Classic: 0 °C to +40 °C
Specification: Maintained or non-maintained mode	Protection class: I

DECENTRAL SUPPLY

Battery supply: 24 V +/- 20% DC	Ambient temperature: -20 °C to +40°C
Mains supply: 24 V +/- 20% DC	Protection class: III

CENTRAL SUPPLY

Battery supply: 176 V–276 V	Ambient temperature: -20 °C to +40 °C
Mains supply: 198 V–254 V/50 Hz	Protection class: I





SELF-CONTAINED SUPPLY

Autotest Order code	Logica Order code	Logica FM Order code	LED	Φ 1h	Φ 3h	Φ 8h		S~
Recessed ceiling mounting suitable for escape route lighting, stainless steel, V2A white								
37210	37211	37212	1	238 lm	137 lm	38 lm	2 x LTO 7.2V / 0.5 Ah	4.85 VA
Recessed ceiling mounting suitable for escape route lighting, stainless steel V2A								
37216	37217	37218	1	238 lm	137 lm	38 lm	2 x LTO 7.2V / 0.5 Ah	4.85 VA
Recessed ceiling mounting suitable for area lighting, stainless steel, V2A white								
37207	37208	37209	1	240 lm	139 lm	39 lm	2 x LTO 7.2V / 0.5 Ah	4.85 VA
Recessed ceiling mounting suitable for area lighting, stainless steel V2A								
37213	37214	37215	1	240 lm	139 lm	39 lm	2 x LTO 7.2V / 0.5 Ah	4.85 VA

CLASSIC SELF-CONTAINED SUPPLY

Autotest Order code	Logica Order code	Logica FM Order code	LED	Φ 1h	Φ 3h	Autotest	Logica	S~
Recessed ceiling mounting suitable for escape route lighting, stainless steel, V2A white								
36114	36115	36116	1	238 lm	160 lm	NiMH 7.2V / 1.2 Ah	NiMH 7.2V / 1.2 Ah	8 VA
Recessed ceiling mounting suitable for escape route lighting, stainless steel V2A								
36120	36121	36122	1	238 lm	160 lm	NiMH 7.2V / 1.2 Ah	NiMH 7.2V / 1.2 Ah	8 VA
Recessed ceiling mounting suitable for area lighting, stainless steel, V2A white								
36111	36112	36113	1	240 lm	162 lm	NiMH 7.2V / 1.2 Ah	NiMH 7.2V / 1.2 Ah	8 VA
Recessed ceiling mounting suitable for area lighting, stainless steel V2A								
36117	36118	36119	1	240 lm	162 lm	NiMH 7.2V / 1.2 Ah	NiMH 7.2V / 1.2 Ah	8 VA



DECENTRAL SUPPLY

Sicuro24 Order code	LED	Φ	P=
Recessed ceiling mounting suitable for escape route lighting, stainless steel, V2A white			
32052	1	238 lm	3.8 W
Recessed ceiling mounting suitable for escape route lighting, stainless steel V2A			
32054	1	238 lm	3.8 W
Recessed ceiling mounting suitable for area lighting, stainless steel, V2A white			
32051	1	240 lm	3.8 W
Recessed ceiling mounting suitable for area lighting, stainless steel V2A			
32053	1	240 lm	3.8 W



CENTRAL SUPPLY

Sicuro230 Order code	LED	Φ	S~	P=
Recessed ceiling mounting suitable for escape route lighting, stainless steel, V2A white				
31050	1	238 lm	8.3VA / 4.1 W	
Recessed ceiling mounting suitable for escape route lighting, stainless steel V2A				
31052	1	238 lm	8.3VA / 4.1 W	
Recessed ceiling mounting suitable for area lighting, stainless steel, V2A white				
31049	1	240 lm	8.3VA / 4.1 W	
Recessed ceiling mounting suitable for area lighting, stainless steel V2A				
31051	1	240 lm	8.3VA / 4.1 W	

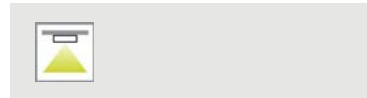


ALU-K

Housing made of flat aluminium profiles with angular contours and a clear insert. High-power LED with lighting control through special lenses for asymmetrically-emitted light distribution (illumination of paths with 1 lx), or for symmetrically emitted light distribution (illumination of surfaces with 0.5 lx)

Versions for surface ceiling mounting

MOUNTING OPTIONS



TECHNICAL DATA

Housing: Aluminium, anodized
Display pane: Methacrylate, clear
Reflector: Aluminium, specular

Service life $L_{80B_{20}}$: 50.000 h
Color stability: 3 SDCM



SELF-CONTAINED SUPPLY

Mains supply:
198 V–254 V/50 Hz

Specification:
Maintained or non-maintained mode

Ambient temperature:
LTO: -20 °C to +50 °C
Classic: 0 °C to +40 °C

Protection class:
I

DECENTRAL SUPPLY

Battery supply:
24V +/- 20% DC

Mains supply:
24V +/- 20% DC

Ambient temperature:
-20 °C to +40 °C

Protection class:
III

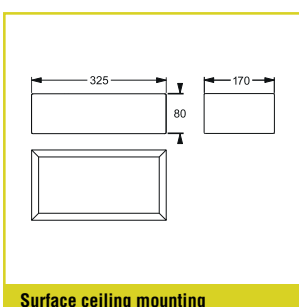
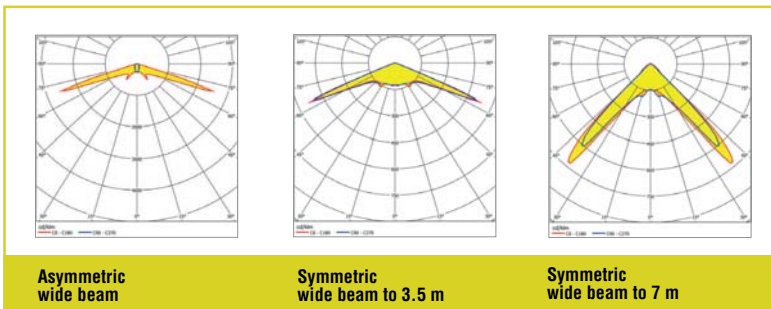
CENTRAL SUPPLY

Battery supply:
176 V–276 V

Mains supply:
198V–254V/50Hz

Ambient temperature:
-20 °C to +40 °C

Protection class:
I





SELF-CONTAINED SUPPLY

Autotest Order code	Logica Order code	Logica FM Order code	LED	Φ 1h	Φ 3h	Φ 8h		S~
Surface ceiling mounting suitable for escape route lighting and area lighting with 2 changeable lenses								
37051	37052	37053	1	Escape route 232 lm	Escape route 134 lm	Escape route 37 lm	2 x LTO 7.2 V / 0.5 Ah	4.85 VA
				Area 234 / 238 lm	Area 135 / 137 lm	Area 38 / 38 lm		

CLASSIC SELF-CONTAINED SUPPLY

Autotest Order code	Logica Order code	Logica FM Order code	LED	Φ 1h	Φ 3h	Autotest	Logica	S~
Surface ceiling mounting suitable for escape route lighting and area lighting with 2 changeable lenses								
36051	36052	36053	1	Escape route 232 lm	Escape route 156 lm	NiMH 7.2V / 0.6 Ah	NiMH 7.2V / 1.2 Ah	8 VA
				Area 234 / 238 lm	Area 158 / 160 lm			

DECENTRAL SUPPLY

Sicuro24 Order code	LED	Φ	P=
Surface ceiling mounting suitable for escape route lighting and area lighting with 2 changeable lenses			
32017	1	Escape route 232 lm	3.8 W
		Area 234 / 238 lm	

CENTRAL SUPPLY

Sicuro230 Order code	LED	Φ	S~	P=
Surface ceiling mounting suitable for escape route lighting and area lighting with 2 changeable lenses				
31017	1	Escape route 232 lm	8.3VA / 4.1 W	
		Area 234 / 238 lm		

Please order additional equipment separately

Order code	Description
F95724	Wire guard

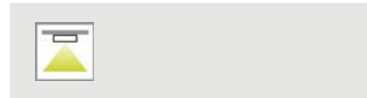


KUBUS

Housing made of flat sheet steel profiles with angular contours and a clear insert. High-power LED with lighting control through special lenses for asymmetrically-emitted light distribution (illumination of paths with 1 lx), or for symmetrically emitted light distribution (illumination of surfaces with 0.5 lx)

Versions for surface ceiling mounting

MOUNTING OPTIONS



TECHNICAL DATA

Housing:	Sheet steel, white (RAL 9003)	Service life $L_{80}B_{20}$:	50.000 h
Display pane:	Methacrylate, clear	Color stability:	3 SDCM
Reflector:	Aluminium, specular		



SELF-CONTAINED SUPPLY

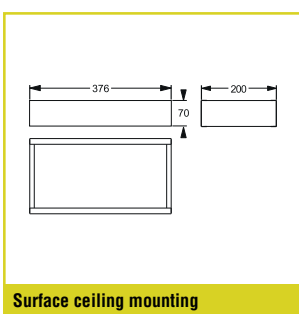
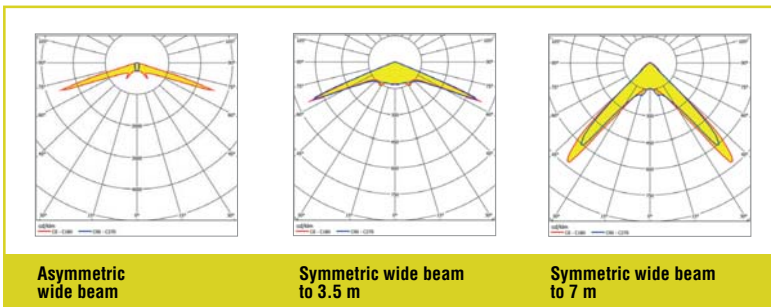
Mains supply: 198 V–254 V/50 Hz	Ambient temperature: LTO: -20 °C to +50 °C Classic: 0 °C to +40 °C
Specification: Maintained or non-maintained mode	Protection class: I

DECENTRAL SUPPLY

Battery supply: 24 V +/- 20% DC	Ambient temperature: -20 °C to +40 °C
Mains supply: 24 V +/- 20% DC	Protection class: III

CENTRAL SUPPLY

Battery supply: 176 V–276 V	Ambient temperature: -20 °C to +40 °C
Mains supply: 198 V–254 V/50 Hz	Protection class: I





SELF-CONTAINED SUPPLY

Autotest Order code	Logica Order code	Logica FM Order code	LED	Φ 1h	Φ 3h	Φ 8h		S~
Surface ceiling mounting suitable for escape route lighting and area lighting with 2 changeable lenses								
37030	37031	37032	1	Escape route 232 lm	Escape route 134 lm	Escape route 37 lm	2 x LTO 7.2 V / 0.5 Ah	4.85 VA
				Area 234 / 238 lm	Area 135 / 137 lm	Area 38 / 38 lm		

CLASSIC SELF-CONTAINED SUPPLY

Autotest Order code	Logica Order code	Logica FM Order code	LED	Φ 1h	Φ 3h	Autotest	Logica	S~
Surface ceiling mounting suitable for escape route lighting and area lighting with 2 changeable lenses								
36030	36031	36032	1	Escape route 232 lm	Escape route 156 lm	NiMH 7.2V / 0.6 Ah	NiMH 7.2V / 1.2 Ah	8 VA
				Area 234 / 238 lm	Area 158 / 160 lm			

DECENTRAL SUPPLY

Sicuro24 Order code	LED	Φ	P=
Surface ceiling mounting suitable for escape route lighting and area lighting with 2 changeable lenses			
32010	1	Escape route 232 lm	3.8 W
		Area 234 / 238 lm	

CENTRAL SUPPLY

Sicuro230 Order code	LED	Φ	S~	P=
Surface ceiling mounting suitable for escape route lighting and area lighting with 2 changeable lenses				
31010	1	Escape route 232 lm	8.3VA / 4.1 W	
		Area 234 / 238 lm		

Please order additional equipment separately

Order code	Description
F95032K	Wire guard

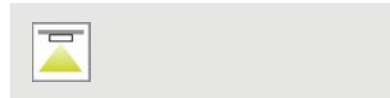


KUBUS65

Housing made of flat sheet steel profiles with angular contours and a clear insert. Lighting control is provided by a aluminium reflector. Lighting control is provided by a highly reflective aluminium reflector. Version in stainless steel is just suitable for indoor solutions.

Version for surface ceiling mounting

MOUNTING OPTIONS



TECHNICAL DATA

Housing:	Sheet steel, white (RAL 9003) Stainless steel, V2A
Cover:	Methacrylate, clear
Reflector:	Aluminium, specular

Service life $L_{80B_{20}}$:	50.000 h
Color stability:	3 SDCM



SELF-CONTAINED SUPPLY

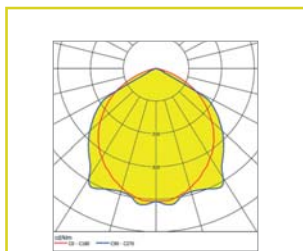
Mains supply: 198 V–254 V/50 Hz	Ambient temperature: LTO: -20 °C to +50 °C Classic: 0 °C to +40 °C
Specification: Maintained or non-maintained mode	Protection class: I

DECENTRAL SUPPLY

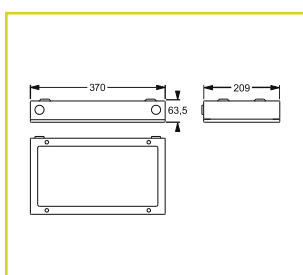
Battery supply: 24V +/- 20% DC	Ambient temperature: -20 °C to +40 °C
Mains supply: 24V +/- 20% DC	Protection class: III

CENTRAL SUPPLY

Battery supply: 176 V–276 V	Ambient temperature: -20 °C to +40 °C
Mains supply: 198V–254V/50Hz	Protection class: I



Polar diagram



Surface ceiling mounting



SELF-CONTAINED SUPPLY

Autotest Order code	Logica Order code	Logica FM Order code	LED	Φ 1h	Φ 3h	Φ 8h		S~
Surface ceiling mounting suitable for escape route lighting								
37060	37061	37062	48	336 lm	168 lm	46 lm	2 x LTO 7.2 V / 0.5 Ah	4.85 VA
Version in V2A								
37066	37067	37068	48	336 lm	168 lm	46 lm	2 x LTO 7.2 V / 0.5 Ah	4.85 VA

CLASSIC SELF-CONTAINED SUPPLY

Autotest Order code	Logica Order code	Logica FM Order code	LED	Φ 1h	Φ 3h	Autotest	Logica	S~
Surface ceiling mounting suitable for escape route lighting								
36060	36061	36062	1	336 lm	227 lm	NiMH 7.2V / 0.6 Ah	NiMH 7.2V / 1.2 Ah	10 VA
Version in V2A								
36072	36073	36074	1	336 lm	227 lm	NiMH 7.2V / 1.2 Ah	NiMH 7.2V / 1.2 Ah	10 VA



DECENTRAL SUPPLY

Sicuro24 Order code	LED	Φ	P=
Surface ceiling mounting suitable for escape route lighting			
32020	1	350 lm	4.3 W
Version in V2A			
32022	1	350 lm	4.3 W



CENTRAL SUPPLY

Sicuro230 Order code	LED	Φ	S~	P=
Surface ceiling mounting suitable for escape route lighting				
31020	1	350 lm	9.4 VA / 4.7 W	
Version in V2A				
31022	1	350 lm	9.4 VA / 4.7 W	

Please order additional equipment separately

Order code	Description
F95607	Wire guard



ACCIAIO

High protection. The housing is made of zinc-coated sheet steel, the caps are made of plastic and the insert is made of tempered glass. The caps and the insert are securely fastened to the housing. Lighting control is provided by a highly reflective aluminium reflector. Single or double-sided escape route signage is provided thanks to exchangeable display inserts. Explosion protection for zone 2 (II 3G Ex nA IIB T4) and zone 22 (II 3D Ex tD A22 T100). Extremely resistant to both mechanical and chemical stress.

Versions for wall mounting and ceiling mounting with swivelling mount or for chain/cable mounting

MOUNTING OPTIONS



TECHNICAL DATA

Housing:	Sheet steel, galvanized, grey (RAL 7040)	Service life $L_{80B_{20}}$:	50.000 h
Caps:	Polycarbonate / polybutyleneterephthalate, grey (RAL 7040)	Color stability:	3 SDCM
Display pane:	Tempered glass, structured		
Reflector:	Aluminium, specular		



SELF-CONTAINED SUPPLY

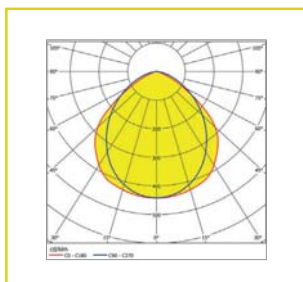
Mains supply: 198 V–254 V/50 Hz	Ambient temperature: LTO: -40 °C to +40 °C Classic: 0 °C to +40 °C
Specification: Maintained or non-maintained mode	Protection class: I

DECENTRAL SUPPLY

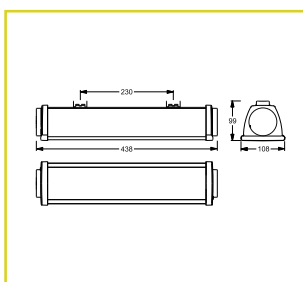
Battery supply: 24 V +/- 20% DC	Ambient temperature: -20 °C to +40 °C
Mains supply: 24 V +/- 20% DC	Protection class: III

CENTRAL SUPPLY

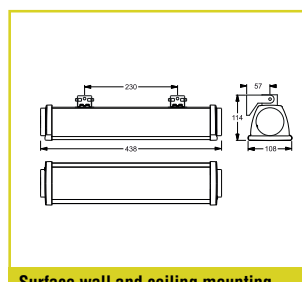
Battery supply: 176 V–276 V	Ambient temperature: -20 °C to +40 °C
Mains supply: 198 V–254 V/50 Hz	Protection class: I



Polar diagram



Surface wall and ceiling mounting



Surface wall and ceiling mounting (swiveling)



SELF-CONTAINED SUPPLY

Autotest Order code	Logica Order code	Logica FM Order code	LED	Φ 1h	Φ 3h	Φ 8h		
Surface wall and ceiling mounting, chain/wire suspension for escape route lighting								
37090	37091	37092	32	400 lm	200 lm	55 lm	2 x LTO 7.2 V / 0.5 Ah	4.85 VA

CLASSIC SELF-CONTAINED SUPPLY

Autotest Order code	Logica Order code	Logica FM Order code	LED	Φ 1h	Φ 3h	Autotest	Logica	
Surface wall and ceiling mounting, chain/wire suspension for escape route lighting								
15030	15030	15031	32	400 lm	200 lm	NiMH 7.2V / 1.2 Ah	NiMH 7.2V / 1.2 Ah	10 VA
15032 ¹	15032 ¹	15033 ¹	32	800 lm	270 lm	NiMH 7.2V / 1.7 Ah	NiMH 7.2V / 1.7 Ah	1.7 VA

DECENTRAL SUPPLY

Sicuro24 Order code	LED	Φ	P=
Surface wall and ceiling mounting, chain/wire suspension for escape route lighting			
32092	32	800 lm 1.600 lm	8 W ² 16 W ²

CENTRAL SUPPLY

Sicuro230 Order code	LED	Φ	S~	P=
Surface wall and ceiling mounting, chain/wire suspension for escape route lighting				
31053	32	1.600 lm	25 VA	22.8 W ²

¹ Only for non maintained mode² Programmable via decentral supply



ACCIAIO HIGH

High protection with high impact strength. Housing made of steel with die-cast aluminium caps. High-power LED with lighting control through special lenses for asymmetrically-emitted light distribution at extremely high luminaire intervals of > 100 m at heights of 2.5 to 20 m, e.g. in tunnels or hangars (illumination of paths with 1 lx).

Extremely resistant to both mechanical and chemical stress with wall bracket, swiveling

Version for wall mounting or ceiling mounting

MOUNTING OPTIONS



TECHNICAL DATA

Housing: Sheet steel, grey (RAL 7035)
Caps: Aluminium, grey (RAL 7035)
Lens: Methacrylate

Service life $L_{80, B_{20}}$: 50.000 h
Color stability: 3 SDCM



DECENTRAL SUPPLY

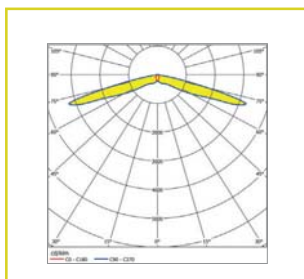
Battery supply:
24 V +/- 20% DC
Mains supply:
24 V +/- 20% DC

Ambient temperature:
-20 °C to +40 °C
Protection class:
I / III

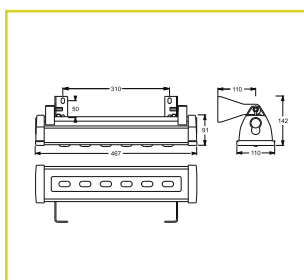
CENTRAL SUPPLY

Battery supply:
176 V-276 V
Mains supply:
198V-254V/50Hz

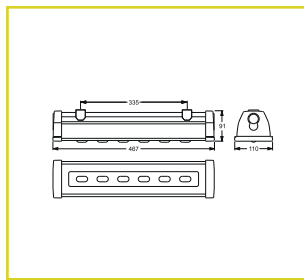
Ambient temperature:
-20 °C to +40 °C
Protection class:
I



Polar diagram



Surface wall mounting



Surface ceiling mounting

SICURO DECENTRAL SUPPLY

Sicuro24
Order code


Surface wall and ceiling mounting, chain/wire suspension for escape route lighting

32084	6	750 lm	8 W / 16 W ¹
		1.500 lm	

SICURO CENTRAL SUPPLY

Sicuro230
Order code


Surface wall and ceiling mounting, chain/wire suspension for escape route lighting

31114	6	2.250 lm	26 VA / 23.5 W
--------------	---	----------	----------------

¹ Programmable via decentral supply

Included in standard delivery

Order code	Description
15015	Wall bracket, swiveling (+/- 90°) ¹

¹ 1 wall bracket per luminaire necessary



FORMULA65

High protection. Housing with convex light-emitting surface and clear cover with click fasteners. Lighting control is provided by a plastic reflector. The Extreme version comes with a higher case.

Versions for surface wall mounting and surface ceiling mounting or with additional equipment for recessed wall mounting, recessed ceiling mounting and wire or rod suspension mounting

MOUNTING OPTIONS



MOUNTING OPTIONS WITH EQUIPMENT



TECHNICAL DATA

Housing: Polycarbonate, white (RAL 9003)
Cover: Polycarbonate, clear
Reflector: Polycarbonate, white

Service life $L_{80}B_{20}$: 50.000 h
Color stability: 3 SDCM



SELF-CONTAINED SUPPLY

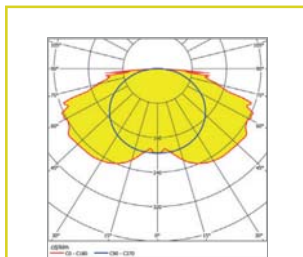
Mains supply: 198 V–254 V/50 Hz
Specification: Maintained or non-maintained mode
Ambient temperature: LTO: -20 °C to +50 °C
 Classic: 0 °C to +40 °C
Protection class: II

DECENTRAL SUPPLY

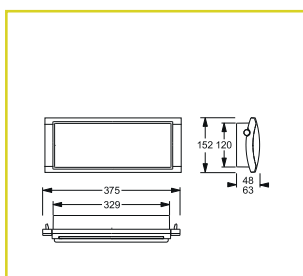
Battery supply: 24 V +/- 20% DC
Mains supply: 24 V +/- 20% DC
Ambient temperature: -20 °C to +40 °C
Protection class: III

CENTRAL SUPPLY

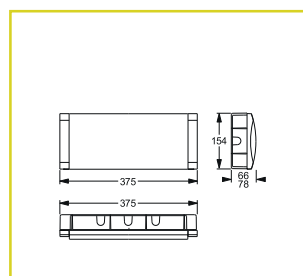
Battery supply: 176 V–276 V
Mains supply: 198V–254V/50Hz
Ambient temperature: -20 °C to +40 °C
Protection class: II



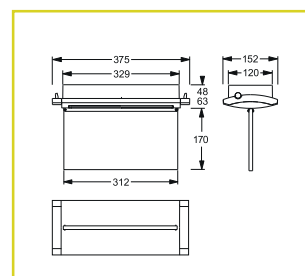
Polar diagram



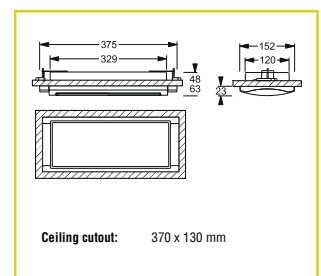
Surface wall mounting



Recessed wall mounting



Surface ceiling mounting



Recessed ceiling mounting



SELF-CONTAINED SUPPLY

Autotest Order code	Logica Order code	Logica FM Order code	LED	Φ 1h	Φ 3h	Φ 8h		S~
Surface or recessed wall or ceiling mounting, suspension for escape route lighting, Extreme version ¹								
19296	19296+15036 ²	19296+15037 ²	22	800 lm			2 x LTO 4.8 V / 1.2 Ah	13 VA
19296-3H	19296-3H+15036 ²	19296-3H+15037 ²	22		280 lm		2 x LTO 4.8 V / 1.2 Ah	13 VA
19296-8H	19296-8H+15036 ²	19296-8H+15037 ²	22			115 lm	2 x LTO 4.8 V / 1.2 Ah	13 VA

CLASSIC SELF-CONTAINED SUPPLY

Autotest Order code	Logica Order code	Logica FM Order code	LED	Φ 1h	Φ 3h	Autotest	Logica	S~
Surface or recessed wall or ceiling mounting, suspension for escape route lighting, Extreme version ¹								
19270 + RA03	19270 + RA03	19276 + RA03	22	800 lm	270 lm	NiMH 3.2V / 1.7 Ah	NiMH 3.2V / 1.7 Ah	8 VA

DECENTRAL SUPPLY

Sicuro24 Order code	LED	Φ	P=
Surface or recessed wall or ceiling mounting for escape route lighting, Extreme version ¹			
32094	32	400 lm	3.8 W

CENTRAL SUPPLY

Sicuro230 Order code	LED	Φ	S~	P=
Surface or recessed wall or ceiling mounting for escape route lighting, Extreme version ¹				
31124	32	400 lm	8.3 VA / 4.1 W	

¹ For recessed wall / ceiling mounting or suspension or bracket mounting please order required equipment separately

² Logica module (15036), Logica FM module (15037) and additional battery NiMH (RA03) please order separately

additional	
Order code	Description
F95943	Adaptor for suspension mounting
19045	Bracket suspension
F95942	Cover for bracket suspension
19040	EinbauHousing For Wände
19048	EinbauHousing For Wände (Extreme Version)
19041	Box for recessed wall mounting
19049	Box for recessed wall mounting (Extreme Version)
12194	Wire guard
15036	Logica module
15037	Logica FM module
RA03	Additional battery NiMH 3,6 V / 1,7 Ah



LOGICA

Housing has a compact design with planar light-emitting surface and a clear insert. Lighting control is provided by a plastic reflector.

Versions for surface wall mounting and surface ceiling mounting or with additional equipment for recessed wall mounting and recessed ceiling mounting

MOUNTING OPTIONS



MOUNTING OPTIONS WITH EQUIPMENT



TECHNICAL DATA

Housing:	Polycarbonate, grey (RAL 7035)
Cover:	Polycarbonate, clear
Reflector:	Polycarbonate, specular
Type of protection:	IP65 (surface and recessed wall mounting), IP40 (surface and recessed ceiling mounting)

Service life $L_{80B_{20}}$:	50.000 h
Color stability:	3 SDCM



SELF-CONTAINED SUPPLY

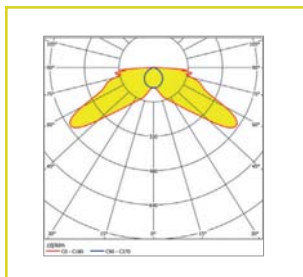
Mains supply: 198 V–254 V/50 Hz	Ambient temperature: 0 °C to +40 °C
Specification: Maintained or non-maintained mode	Protection class: II

DECENTRAL SUPPLY

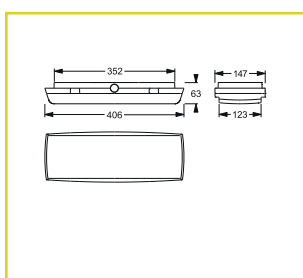
Battery supply: 24 V +/- 20% DC	Ambient temperature: -20 °C to +40 °C
Mains supply: 24 V +/- 20% DC	Protection class: II / III

CENTRAL SUPPLY

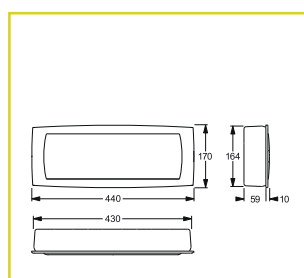
Battery supply: 176 V–276 V	Ambient temperature: -20 °C to +40 °C
Mains supply: 198 V–254 V/50 Hz	Protection class: II



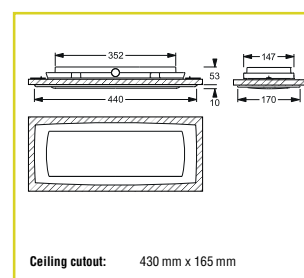
Polar diagram



Surface wall or ceiling mounting



Recessed wall mounting



Ceiling cutout: 430 mm x 165 mm

Recessed ceiling mounting

CLASSIC SELF-CONTAINED SUPPLY

Autotest Order code	Logica Order code	Logica FM Order code	LED	Φ 1h	Φ 3h	Autotest	Logica	S~
12187S	12187S	12187FMS	30	1.500 lm	700 lm	NiMH 7.2V / 4 Ah	NiMH 7.2V / 4 Ah	15 VA

Surface wall or ceiling mounting, recessed ceiling mounting for escape route lighting¹SICURO^{LED} DECENTRAL SUPPLY

Sicuro24 Order code	LED	Φ	P=
32089	30	600 lm	4.3 W

Surface wall or ceiling mounting, recessed ceiling mounting for escape route lighting¹SICURO^{LED} CENTRAL SUPPLY

Sicuro230 Order code	LED	Φ	S~	P=
31099	30	900 lm	12 VA / 10.4 W	

Surface wall or ceiling mounting, recessed ceiling mounting for escape route lighting¹¹ For recessed wall and ceiling mounting please and suspension please order additional equipment separately

Please order additional equipment separately

Order code	Description
12193	Kit for recessed ceiling mounting
12194	Wire guard
12198	Kit for recessed wall mounting



AESTETICA

Housing has a compact design with planar light-emitting surface and a clear insert. Lighting control is provided by a plastic reflector.

Versions for surface wall mounting and surface ceiling mounting or with additional equipment for recessed wall mounting and recessed ceiling mounting

MOUNTING OPTIONS



MOUNTING OPTIONS WITH EQUIPMENT



TECHNICAL DATA

Housing: Polycarbonate, white (RAL 9003)
Cover: Polycarbonate, clear
Reflector: Polycarbonate, white

Service life $L_{80}B_{20}$: 50.000 h
Color stability: 3 SDCM



SELF-CONTAINED SUPPLY

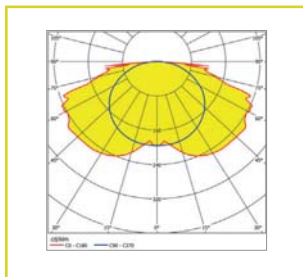
Mains supply: 198 V–254 V/50 Hz
Ambient temperature: 0 °C to +40 °C
Specification: Maintained or non-maintained mode
Protection class: II

DECENTRAL SUPPLY

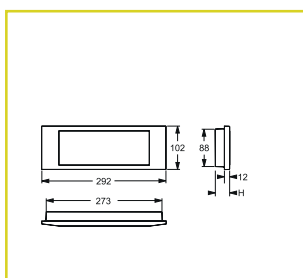
Battery supply: 24 V +/- 20% DC
Ambient temperature: -20 °C to +40 °C
Mains supply: 24 V +/- 20% DC
Protection class: III

CENTRAL SUPPLY

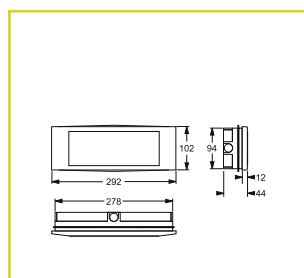
Battery supply: 176 V–276 V
Ambient temperature: -20 °C to +40 °C
Mains supply: 198 V–254 V/50 Hz
Protection class: II



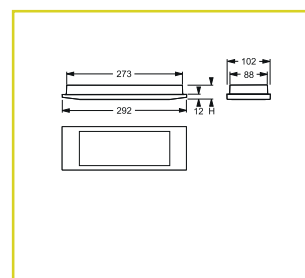
Polar diagram



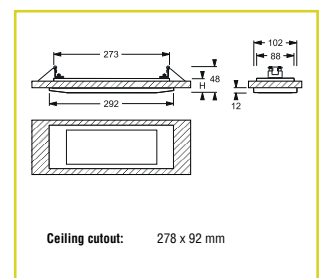
Surface wall mounting



Recessed wall mounting



Surface ceiling mounting



Recessed ceiling mounting

CLASSIC SELF-CONTAINED SUPPLY

Classic
Order codeSurface and recessed wall/ceiling mounting, suspension for escape route lighting¹

16225	16	105 lm	NiMH 3.6 V / 1.2 Ah	11 VA
16226	32	190 lm	2 x NiMH 3.6 V / 1.2 Ah	11 VA

SICURO^{LED} DECENTRAL SUPPLYSicuro24
Order codeSurface and recessed wall/ceiling mounting, suspension for escape route lighting¹

32069	20	120 lm	1.7 W
-------	----	--------	-------

SICURO^{PRO} CENTRAL SUPPLYSicuro230
Order codeSurface and recessed wall/ceiling mounting, suspension for escape route lighting¹

31098	20	120 lm	4.8 VA / 1.8 W
-------	----	--------	----------------

¹ For recessed wall and ceiling mounting please and suspension please order additional equipment separately

Please order additional equipment separately

Order code	Description
3733	Kit for recessed wall mounting
4266	Kit for recessed ceiling mounting



LUMAX

Combined general and safety luminaire. Round luminaire in a sheet steel housing with a domed diffuser made of opal plastic (PC). Homogeneous light emission.

Versions for wall mounting or ceiling mounting

Also available as a luminaire for general lighting

MOUNTING OPTIONS



TECHNICAL DATA

Housing: Sheet steel, white (RAL 9003)
Diffusor: Methacrylate, opal

Service life $L_{80B_{20}}$: 50.000 h
Color stability: 3 SDCM



SELF-CONTAINED SUPPLY

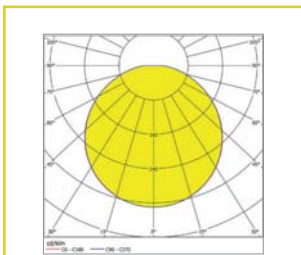
Mains supply: 198 V–254 V/50 Hz
Specification: Maintained or non-maintained mode
Ambient temperature: LTO: -20 °C to +50 °C
 Classic: 0 °C to +40 °C
Protection class: I

DECENTRAL SUPPLY

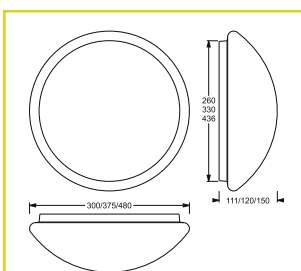
Battery supply: 24 V +/- 20% DC
Mains supply: 24 V +/- 20% DC
Ambient temperature: -20 °C to +40 °C
Protection class: I / III

CENTRAL SUPPLY

Battery supply: 176 V–276 V
Mains supply: 198 V–254 V/50 Hz
Ambient temperature: -20 °C to +40 °C
Protection class: I



Polar diagram



Surface wall or ceiling mounting

Data as mains luminaire Order code	P	LED	Φ	T_c	R_a
37105 / 37106 / 37107 / 36138 / 36139 / 36140 / 32060 / 31063 / 31062	18 W / 19.5 W	68	1.700 lm	3.000 K	>80
37102 / 37103 / 37104 / 36135 / 36136 / 36137 / 32059 / 31059 / 31058	18 W / 19.5 W	68	1.700 lm	4.000 K	>80
37111 / 37112 / 37113 / 36144 / 36145 / 36146 / 32062 / 31071 / 31070	24 W / 25.5 W	88	2.450 lm	3.000 K	>80
37108 / 37109 / 37110 / 36141 / 36142 / 36143 / 32061 / 31067 / 31066	24 W / 25.5 W	88	2.450 lm	4.000 K	>80
37117 / 37118 / 37119 / 36147 / 36148 / 36149 / 32064 / 31079 / 31078	24 W / 25.5 W	88	3.650 lm	3.000 K	>80
37114 / 37115 / 37116 / 36147 / 36148 / 36149 / 32063 / 31075 / 31074	24 W / 25.5 W	88	3.650 lm	4.000 K	>80



SELF-CONTAINED SUPPLY

Autotest Order code	Logica Order code	Logica FM Order code	LED	Φ 1h	Φ 3h	Φ 8h		S~
------------------------	----------------------	-------------------------	-----	------	------	------	--	----

Version with 3 K, surface wall or ceiling mounting for escape route lighting

37105 (Ø 300 mm)	37106 (Ø 300 mm)	37107 (Ø 300 mm)	68	315 lm	158 lm	43 lm	2 x LTO 7.2 V / 0.5 Ah	21.5 VA
37111 (Ø 375 mm)	37112 (Ø 375 mm)	37113 (Ø 375 mm)	68	315 lm	158 lm	43 lm	2 x LTO 7.2 V / 0.5 Ah	27.5 VA
37117 (Ø 480 mm)	37118 (Ø 480 mm)	37119 (Ø 480 mm)	68	315 lm	158 lm	43 lm	2 x LTO 7.2 V / 0.5 Ah	40.5 VA

Version with 4 K, surface wall or ceiling mounting for escape route lighting

37102 (Ø 300 mm)	37103 (Ø 300 mm)	37104 (Ø 300 mm)	68	315 lm	158 lm	43 lm	2 x LTO 7.2 V / 0.5 Ah	21.5 VA
37108 (Ø 375 mm)	37109 (Ø 375 mm)	37110 (Ø 375 mm)	68	315 lm	158 lm	43 lm	2 x LTO 7.2 V / 0.5 Ah	27.5 VA
37114 (Ø 480 mm)	37115 (Ø 480 mm)	37116 (Ø 480 mm)	68	315 lm	158 lm	43 lm	2 x LTO 7.2 V / 0.5 Ah	40.5 VA

CLASSIC SELF-CONTAINED SUPPLY

Autotest Order code	Logica Order code	Logica FM Order code	LED	Φ 1h	Φ 3h		Autotest		Logica	S~
------------------------	----------------------	-------------------------	-----	------	------	--	----------	--	--------	----

Version with 3 K, surface wall or ceiling mounting for escape route lighting

36138 (Ø 300 mm)	36139 (Ø 300 mm)	36140 (Ø 300 mm)	68	315 lm	213 lm	NiMH 7.2V / 0.6 Ah	NiMH 7.2V / 0.6 Ah	NiMH 7.2V / 1.2 Ah	25.5 VA
36144 (Ø 375 mm)	36145 (Ø 375 mm)	36146 (Ø 375 mm)	88	315 lm	213 lm	NiMH 7.2V / 0.6 Ah	NiMH 7.2V / 0.6 Ah	NiMH 7.2V / 1.2 Ah	31.5 VA
36150 (Ø 480 mm)	36151 (Ø 480 mm)	36152 (Ø 480 mm)	88	315 lm	213 lm	NiMH 7.2V / 0.6 Ah	NiMH 7.2V / 0.6 Ah	NiMH 7.2V / 1.2 Ah	44.5 VA

Version with 4 K, surface wall or ceiling mounting for escape route lighting

36135 (Ø 300 mm)	36136 (Ø 300 mm)	36137 (Ø 300 mm)	68	315 lm	213 lm	NiMH 7.2V / 0.6 Ah	NiMH 7.2V / 0.6 Ah	NiMH 7.2V / 1.2 Ah	25.5 VA
36141 (Ø 375 mm)	36142 (Ø 375 mm)	36143 (Ø 375 mm)	88	315 lm	213 lm	NiMH 7.2V / 0.6 Ah	NiMH 7.2V / 0.6 Ah	NiMH 7.2V / 1.2 Ah	31.5 VA
36147 (Ø 480 mm)	36148 (Ø 480 mm)	36149 (Ø 480 mm)	88	315 lm	213 lm	NiMH 7.2V / 0.6 Ah	NiMH 7.2V / 0.6 Ah	NiMH 7.2V / 1.2 Ah	44.5 VA



DECENTRAL SUPPLY

Sicuro24 Order code	LED	Φ	P=
------------------------	-----	---	----

Version with 3 K, surface wall or ceiling mounting for escape route lighting

32060 (Ø 300 mm)	88	315 lm	4.3 W
32062 (Ø 375 mm)	88	315 lm	4.3 W
32064 (Ø 480 mm)	88	315 lm	4.3 W

Version with 4 K, surface wall or ceiling mounting for escape route lighting

32059 (Ø 300 mm)	88	315 lm	4.3 W
32061 (Ø 375 mm)	88	315 lm	4.3 W
32063 (Ø 480 mm)	88	315 lm	4.3 W



CENTRAL SUPPLY

Sicuro230 Order code	LED	Φ	S~	P=
-------------------------	-----	---	----	----

Version with 3 K, surface wall or ceiling mounting for escape route lighting
with reduced power in battery operation

31063 (Ø 300 mm)	68	315 lm	20 VA / 4.7 W
31071 (Ø 375 mm)	88	315 lm	26 VA / 24.5 W
31079 (Ø 480 mm)	88	315 lm	37.5 VA / 4.7 W

Version with 4 K, surface wall or ceiling mounting for escape route lighting
with reduced power in battery operation

31059 (Ø 300 mm)	68	315 lm	20 VA / 4.7 W
31067 (Ø 375 mm)	88	315 lm	26 VA / 4.7 W
31075 (Ø 480 mm)	88	315 lm	26 VA / 4.7 W

Version with 3 K, surface wall or ceiling mounting for escape route lighting
without reduced power in battery operation

31062 (Ø 300 mm)	68	1.700 lm	20 VA / 18.5 W
31070 (Ø 375 mm)	88	2.450 lm	26 VA / 24.5 W
31078 (Ø 480 mm)	88	3.650 lm	39 VA / 37.5 W

Version with 4 K, surface wall or ceiling mounting for escape route lighting
without reduced power in battery operation

31058 (Ø 300 mm)	68	1.700 lm	20 VA / 18.5 W
31066 (Ø 375 mm)	88	2.450 lm	26 VA / 24.5 W
31074 (Ø 480 mm)	88	3.650 lm	39 VA / 37.5 W



LUMAX65

High protection class combined general and safety luminaire. Round luminaire in plastic all-round frame housing (PC) with a domed diffuser made of opal plastic (PC). Homogeneous light emission.

Versions for wall mounting or ceiling mounting

Also available as a luminaire for general lighting

MOUNTING OPTIONS



TECHNICAL DATA

Housing: Polycarbonate, grey (RAL 9006)
Polycarbonate, black (RAL 9011)

Diffusor: Polycarbonate, opal

Service life $L_{50}B_{20}$: 50.000 h

Color stability: 3 SDCM



SELF-CONTAINED SUPPLY

Mains supply: 198 V–254 V/50 Hz

Specification: Maintained or non-maintained mode

Ambient temperature: LTO: -20 °C to +50 °C
Classic: 0 °C to +40 °C

Protection class: I

DECENTRAL SUPPLY

Battery supply: 24 V +/- 20% DC

Mains supply: 24 V +/- 20% DC

Ambient temperature: -20 °C to +40 °C

Protection class: I / III

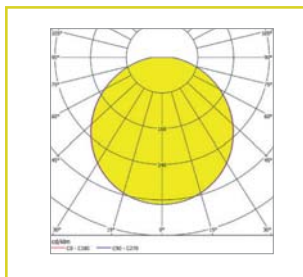
CENTRAL SUPPLY

Battery supply: 176 V–276 V

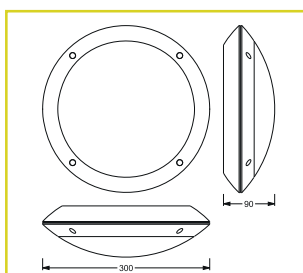
Mains supply: 198 V–254 V/50 Hz

Ambient temperature: -20 °C to +40 °C

Protection class: I



Polar diagram



Surface wall or ceiling mounting

Data as mains luminaire Order code	P	LED	Φ	T _c	R _a
37123 / 37124 / 37125 / 36156 / 36157 / 36158 / 32066 / 31086 / 31089	17 W / 18.5 W	68	1.500 lm	3.000 K	>80
37120 / 37121 / 37122 / 36153 / 36154 / 36155 / 32065 / 31082 / 31085	17 W / 18.5 W	68	1.500 lm	4.000 K	>80
37129 / 37130 / 37131 / 36162 / 36163 / 36164 / 32068 / 31094 / 31095	17 W / 18.5 W	68	1.500 lm	3.000 K	>80
37126 / 37127 / 37128 / 36159 / 36160 / 36161 / 32067 / 31090 / 31093	17 W / 18.5 W	68	1.500 lm	4.000K	>80



SELF-CONTAINED SUPPLY

Autotest Order code	Logica Order code	Logica FM Order code	LED	Φ 1h	Φ 3h	Φ 8h		S~
Version with 3 K, black housing, surface wall or ceiling mounting for escape route lighting								
37123	37124	37125	68	278 lm	140 lm	38 lm	2 x LTO 7.2 V / 1.5 Ah	21.5 VA
Version with 3 K, grey housing, surface wall or ceiling mounting for escape route lighting								
37129	37130	37131	68	278 lm	140 lm	38 lm	2 x LTO 7.2 V / 1.5 Ah	21.5 VA
Version with 4 K, black housing, surface wall or ceiling mounting for escape route lighting								
37120	37121	37122	68	278 lm	140 lm	38 lm	2 x LTO 7.2 V / 1.5 Ah	21.5 VA
Version with 4 K, grey housing, surface wall or ceiling mounting for escape route lighting								
37126	37127	37128	68	278 lm	140 lm	38 lm	2 x LTO 7.2 V / 1.5 Ah	21.5 VA

CLASSIC SELF-CONTAINED SUPPLY

Autotest Order code	Logica Order code	Logica FM Order code	LED	Φ 1h	Φ 3h	Autotest	Logica	S~
Version with 3 K, black housing, surface wall or ceiling mounting for escape route lighting								
36156	36157	36158	68	278 lm	190 lm	NiMH 7.2V / 0.6 Ah	NiMH 7.2V / 1.2 Ah	25.5 VA
Version with 3 K, grey housing, surface wall or ceiling mounting for escape route lighting								
36162	36163	36164	68	278 lm	190 lm	NiMH 7.2V / 0.6 Ah	NiMH 7.2V / 1.2 Ah	25.5 VA
Version with 4 K, black housing, surface wall or ceiling mounting for escape route lighting								
36153	36154	36155	68	278 lm	190 lm	NiMH 7.2V / 0.6 Ah	NiMH 7.2V / 1.2 Ah	25.5 VA
Version with 4 K, grey housing, surface wall or ceiling mounting for escape route lighting								
36159	36160	36161	68	278 lm	190 lm	NiMH 7.2V / 0.6 Ah	NiMH 7.2V / 1.2 Ah	25.5 VA



DECENTRAL SUPPLY

Sicuro24 Order code	LED	Φ	P=
Version with 3 K, black housing, surface wall or ceiling mounting for escape route lighting			
32066	68	278 lm	4.3 W
Version with 3 K, grey housing, surface wall or ceiling mounting for escape route lighting			
32068	68	278 lm	4.3 W
Version with 4 K, black housing, surface wall or ceiling mounting for escape route lighting			
32065	68	278 lm	4.3 W
Version with 4 K, grey housing, surface wall or ceiling mounting for escape route lighting			
32067	68	278 lm	4.3 W



CENTRAL SUPPLY

Sicuro230 Order code	LED	Φ	S~	P=
Version with 3 K, black housing, surface wall or ceiling mounting for escape route lighting with reduced power in battery operation				
31086	68	1.500 lm	20 VA / 18.5 W	
Version with 3 K, grey housing, surface wall or ceiling mounting for escape route lighting with reduced power in battery operation				
31094	68	1.500 lm	20 VA / 18.5 W	
Version with 4 K, black housing, surface wall or ceiling mounting for escape route lighting with reduced power in battery operation				
31082	68	1.500 lm	20 VA / 18.5 W	
Version with 4 K, grey housing, surface wall or ceiling mounting for escape route lighting with reduced power in battery operation				
31090	68	1.500 lm	20 VA / 18.5 W	
Version with 3 K, black housing, surface wall or ceiling mounting for escape route lighting without reduced power in battery operation				
31089	68	278 lm	20 VA / 5.4 W	
Version with 3 K, grey housing, surface wall or ceiling mounting for escape route lighting without reduced power in battery operation				
31095	68	278 lm	20 VA / 5.4 W	
Version with 4 K, black housing, surface wall or ceiling mounting for escape route lighting without reduced power in battery operation				
31085	68	278 lm	20 VA / 5.4 W	
Version with 4 K, grey housing, surface wall or ceiling mounting for escape route lighting without reduced power in battery operation				
31093	68	278 lm	20 VA / 5.4 W	



S-IN

Safety luminaire for steps. Housing made of aluminium with frame or shade cover, exchangeable. Recessed mounting housing for solid steps included in delivery.

Version for recessed step mounting

MOUNTING OPTIONS



TECHNICAL DATA

Mounting:	Recessed step mounting
Housing:	Aluminium, grey (RAL 7030)
Cover:	Diecast aluminium, grey (RAL 7030)
Display pane:	Glass, opal

Service life $L_{50B_{20}}$:	50.000 h
Color stability:	3 SDCM



DECENTRAL SUPPLY

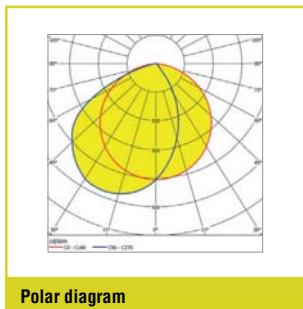
Battery supply:	24 V +/- 20% DC
Mains supply:	24 V +/- 20% DC

Ambient temperature:	-20 °C to +40 °C
Protection class:	III

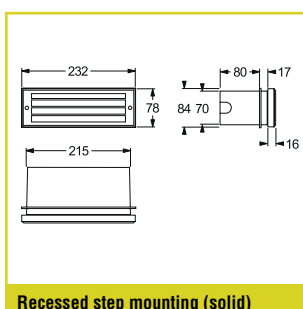
CENTRAL SUPPLY

Battery supply:	176 V-276 V
Mains supply:	198V-254V/50Hz

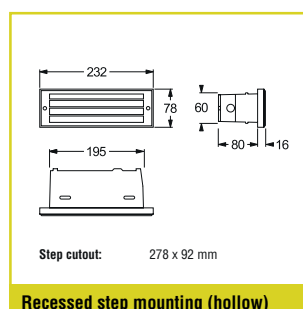
Ambient temperature:	-20 °C to +40 °C
Protection class:	I



Polar diagram



Recessed step mounting (solid)



Recessed step mounting (hollow)


DECENTRAL SUPPLY

Sicuro24
Order code





Recessed step mounting for escape route lighting

32031	3	29 lm	4.3 W
--------------	---	-------	-------


CENTRAL SUPPLY

Sicuro230
Order code






Recessed step mounting for escape route lighting

31031	3	29 lm	8.9 VA / 4.5 W
--------------	---	-------	----------------

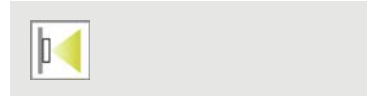


TRIANGLE

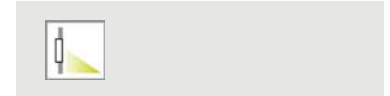
Housing is made of stainless steel and has a triangular design with downwards-directed light-emitting surfaces. High-power LED with lighting control through special lenses for asymmetrically-emitted light distribution (illumination of paths with 1 lx), or for symmetrically emitted light distribution (illumination of surfaces with 0.5 lx).

Versions for wall mounting or with additional equipment for bollards

MOUNTING OPTIONS



MOUNTING OPTIONS WITH EQUIPMENT



TECHNICAL DATA

Housing: Sheet steel, white (RAL 9003)
Stainless steel, V2A

Cover: Methacrylate, transparent

Lens: Methacrylate

Service life $L_{80/B_{20}}$: 50.000 h

Color stability: 3 SDCM



SELF-CONTAINED SUPPLY

Mains supply:
198 V–254 V/50 Hz

Specification:
Maintained or
non-maintained mode

Ambient temperature:
LTO: -20 °C to +40 °C
Classic: 0 °C to +40 °C

Protection class:
I

DECENTRAL SUPPLY

Battery supply:
24 V +/- 20% DC

Mains supply:
24 V +/- 20% DC

Ambient temperature:
-20 °C to +40 °C

Protection class:
III

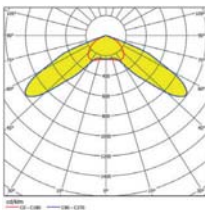
CENTRAL SUPPLY

Battery supply:
176 V–276 V

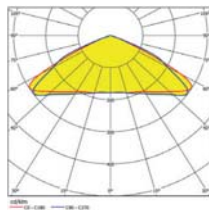
Mains supply:
198V–254V/50Hz

Ambient temperature:
-20 °C to +40 °C

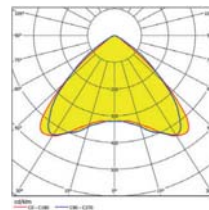
Protection class:
I



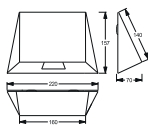
**Asymmetric
wide beam**



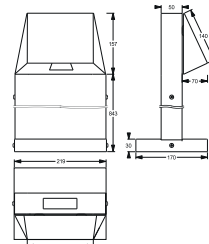
**Symmetric
wide beam to 3.5 m**



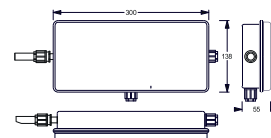
**Symmetric
wide beam to 7 m**



Surface wall mounting



Floor mounting



Box for self-contained supply battery



SELF-CONTAINED SUPPLY

Autotest Order code	Logica Order code	Logica FM Order code	LED	Φ 1h	Φ 3h	Φ 8h		S~
Surface wall mounting suitable for escape route or area lighting with 3 changeable lenses, V2A white								
37096	37097	37098	1	Escape route 196 lm	Escape route 113 lm	Escape route 32 lm	2 x LTO 7.2 V / 0.5 Ah	4.85 VA
				Area 214 / 209 lm	Area 124 / 120 lm	Area 35 / 34 lm		
Surface wall mounting suitable for escape route or area lighting with 3 changeable lenses, V2A								
37099	37100	37101	1	Escape route 196 lm	Escape route 113 lm	Escape route 32 lm	2 x LTO 7.2 V / 0.5 Ah	4.9 VA
				Area 214 / 209 lm	Area 124 / 120 lm	Area 35 / 34 lm		

CLASSIC SELF-CONTAINED SUPPLY

Autotest Order code	Logica Order code	Logica FM Order code	LED	Φ 1h	Φ 3h	Autotest	Logica	S~
Surface wall mounting suitable for escape route or area lighting with 3 changeable lenses, V2A white								
36123	36124	36125	1	Escape route 196 lm	Escape route 132 lm	NiMH 7.2 V / 1.2 Ah	NiMH 7.2 V / 1.2 Ah	8 VA
				Area 214 / 209 lm	Area 144 / 140 lm			
Surface wall mounting suitable for escape route or area lighting with 3 changeable lenses, V2A								
36129	36130	36131	1	Escape route 196 lm	Escape route 132 lm	NiMH 7.2 V / 1.2 Ah	NiMH 7.2 V / 1.2 Ah	8 VA
				Area 214 / 209 lm	Area 144 / 140 lm			



DECENTRAL SUPPLY

Sicuro24 Order code	LED	Φ	P=
Surface wall mounting suitable for escape route or area lighting with 3 changeable lenses, V2A white			
32057	1	Escape route 196 lm	3.8 W
		Area 214 / 209 lm	
Surface wall mounting suitable for escape route or area lighting with 3 changeable lenses, V2A			
32058	1	Escape route 196 lm	3.8 W
		Area 214 / 209 lm	



CENTRAL SUPPLY

Sicuro230 Order code	LED	Φ	S~	P=
Surface wall mounting suitable for escape route or area lighting with 3 changeable lenses, V2A white				
31056	1	Escape route 196 lm	8.3VA / 4.1 W	
		Area 214 / 209 lm		
Surface wall mounting suitable for escape route or area lighting with 3 changeable lenses, V2A				
31057	1	Escape route 196 lm	8.3VA / 4.1 W	
		Area 214 / 209 lm		

Please order additional equipment separately

Order code	Description
F95940	Bollard, white
F95941	Bollard, V2A



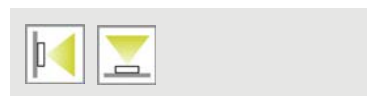
F30 / F50 / F70 LED

High protection class combined general and safety luminaire with high impact strength. Spotlight in housing made of die-cast aluminium with tempered glass insert and with microprismatic, highly reflective aluminium reflector. The insert is attached to the housing with stainless steel hinges and locks. Swivelling mounting ($\pm 180^\circ$). Light distribution can be emitted symmetrically over a wide area or emitted asymmetrically over a narrow area, can be changed.

Versions for wall mounting or floor mounting

Also available as a luminaire for general lighting

MOUNTING OPTIONS



TECHNICAL DATA

Housing: Diecast aluminium, grey (RAL 7035)
Display pane: Tempered glass, microprismatic
Reflector: Aluminium, specular

Service life L80B20: 50.000 h
Color stability: 3 SDCM



SELF-CONTAINED SUPPLY

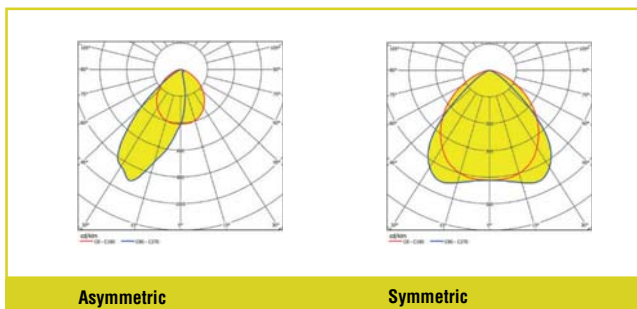
Mains supply: 198 V–254 V/50 Hz
Specification: Maintained or non-maintained mode
Ambient temperature: LTO: -20°C to $+50^\circ\text{C}$
Protection class: I

DECENTRAL SUPPLY

Battery supply: 24 V \pm 20% DC
Mains supply: 24 V \pm 20% DC
Ambient temperature: -20°C to $+40^\circ\text{C}$
Protection class: I / III

CENTRAL SUPPLY

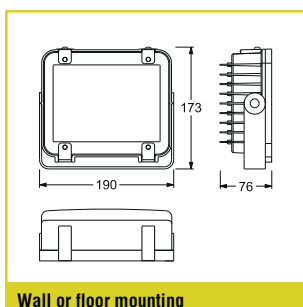
Battery supply: 176 V–276 V
Mains supply: 198V–254V/50Hz
Ambient temperature: -20°C to $+40^\circ\text{C}$
Protection class: I



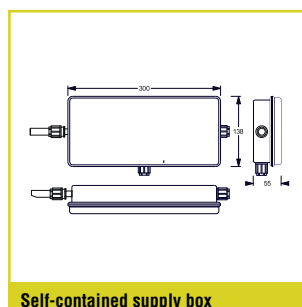
Asymmetric

Symmetric

Data as mains luminaire Order code	LED	P	Φ	T_c	R_a
37219 / 37220 / 32071 / 31100	33	17 W	1.800 lm	4.000 K	>80
37221 / 37222 / 32072 / 31101	66	26 W	3.000 lm	4.000 K	>80
37223 / 37224 / 32073 / 31102	99	37 W	4.000 lm	4.000 K	>80



Wall or floor mounting



Self-contained supply box



SELF-CONTAINED SUPPLY

Autotest Order code	Logica Order code	Logica FM Order code	LED	Φ 1h	Φ 3h	Φ 8h		S~
Surface wall mounting, floor mounting suitable for escape route lighting								
37219	37219	37220	33	1.050 lm	350 lm	130 lm	LTO 14.4 V / 1.2 Ah	21 VA
37221	37221	37222	66	1.050 lm	380 lm	140 lm	LTO 14.4 V / 1.2 Ah	31 VA
37223	37223	37224	99	1.080 lm	360 lm	135 lm	LTO 14.4 V / 1.2 Ah	44 VA

DECENTRAL SUPPLY

Sicuro24 Order code	LED	Φ	P=
Surface wall mounting, floor mounting suitable for escape route lighting			
32071	33	635 lm / 1.270 lm ³	8 W / 16 W ³
32072	66	690 lm / 1.380 lm ³	8 W / 16 W ³
32073	99	650 lm / 1.290 lm ³	8 W / 16 W ³

CENTRAL SUPPLY

Sicuro230 Order code	LED	Φ	S~	P=
Surface wall mounting, floor mounting suitable for escape route lighting				
31100	33	1.800 lm ³	20.5 VA / 17 W	
31101	66	3.000 lm ³	30.5 VA / 26 W	
31102	99	4.000 lm ³	43 VA / 37 W	

³Programmable via decentral supply



TULA

Combined exit sign and safety luminaire. Housing has a flat design with convex light-emitting surface and an opal insert. Single or double-sided escape route signage is provided thanks to self-adhesive films. In the combined exit sign luminaire and safety luminaire version, additional high-power LED with lighting control through special lenses for asymmetrically-emitted light distribution (illumination of paths with 1 lx), or for symmetrically emitted light distribution (illumination of surfaces with 0.5 lx).

Versions for wall mounting or with additional equipment for ceiling mounting or wire or rod suspension mounting and mounting on brackets

MOUNTING OPTIONS



MOUNTING OPTIONS WITH EQUIPMENT



TECHNICAL DATA

Housing: Sheet steel, grey (RAL 9006)
Cover: Methacrylate, opal
Lens: Methacrylate

Service life $L_{80B_{20}}$: 50.000 h
Color stability: 3 SDCM



DECENTRAL SUPPLY

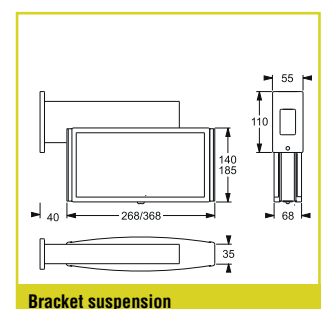
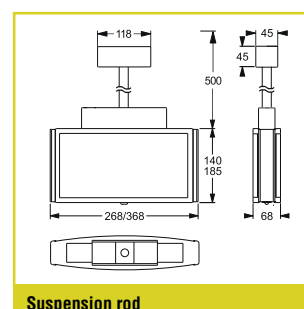
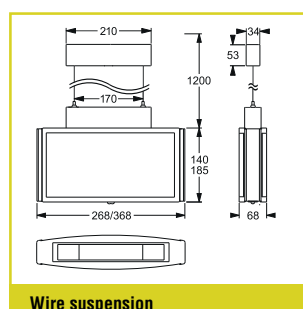
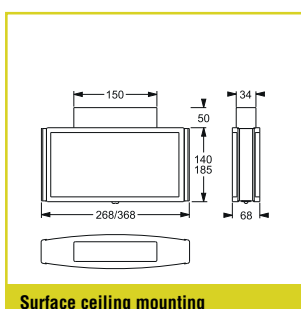
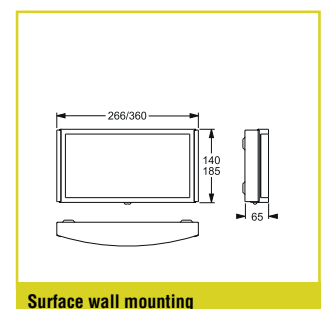
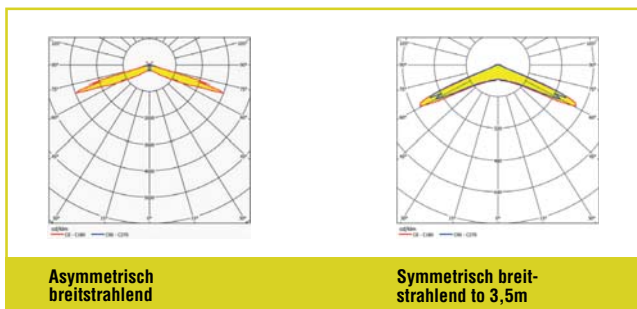
Battery supply:
24 V +/- 20% DC
Mains supply:
24 V +/- 20% DC

Ambient temperature:
-20 °C to +40 °C
S24-Protection class:
III

CENTRAL SUPPLY

Battery supply:
176 V-276 V
Mains supply:
198 V-254 V/50 Hz

Ambient temperature:
-20 °C to +40 °C
Protection class:
I



SICURO^{LED} DECENTRAL SUPPLY

Sicuro24 Order code				
-------------------------------	--	--	--	--

Surface wall mounting for single faced indication suitable for escape route lighting and area lighting with 2 changeable lenses

32028	32 m	48 + 1	Escape route 261 lm	8.1 W
			Area 285 lm	

Surface ceiling mounting for single faced indication suitable for escape route lighting and area lighting with 2 changeable lenses ¹

32030	32 m	48 + 1	Escape route 261 lm	8.1 W
			Area 285 lm	

¹Für surface mounting and all suspended versions, please order required equipment separately

SICURO^{LED} CENTRAL SUPPLY

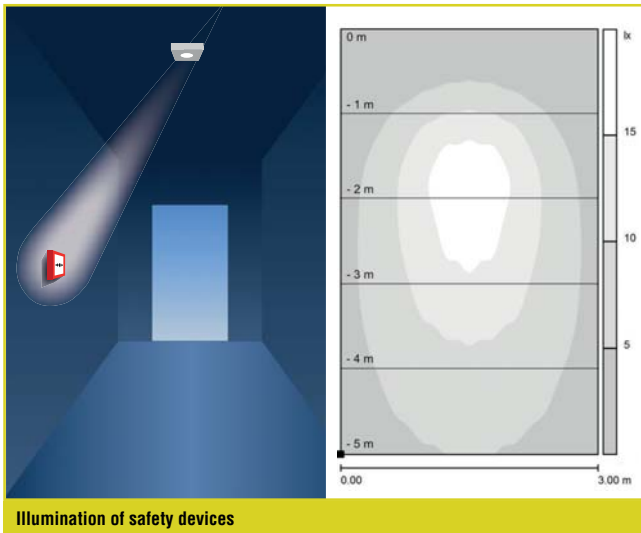
Sicuro230 Order code					
--------------------------------	--	--	--	--	--

Surface wall mounting for single faced indication suitable for escape route lighting and area lighting with 2 changeable lenses

31028	32 m	48 + 1	Escape route 261 lm	17.7 VA / 8.8 W
			Area 285 lm	

Surface ceiling mounting for single faced indication suitable for escape route lighting and area lighting with 2 changeable lenses ¹

31030	32 m	48 + 1	Escape route 261 lm	17.7 VA / 8.8 W
			Area 285 lm	



Illumination of safety devices

Included in standard delivery	
Order code	Description
VD 23 m	VD 32 m
F15337MU	F15338MU Exit sign film
F15337MR	F15338MR Exit sign film
F15337ML	F15338ML Exit sign film
F15337MO	F15338MO Exit sign film

Zubehör bitte separat bestellen	
Order code	Description
F95109PK	Adaptor for ceiling mounting
F95109PR	Suspension rod, rectangular, 500 mm
F95109PS	Wire suspension, max. 1.200 mm
F95109P	Bracket suspension

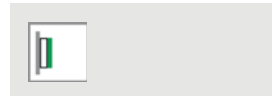


KUBUS

Combined exit sign and safety luminaires. Housing made of flat sheet steel profiles with angular contours. Single or double-sided escape route signage is provided thanks to exchangeable inserts. In the combined exit sign luminaire and safety luminaire version, additional high-power LED with lighting control through special lenses for asymmetrically-emitted light distribution (illumination of paths with 1 lx), or for symmetrically emitted light distribution (illumination of surfaces with 0.5 lx).

Version for surface wall mounting or with equipment for ceiling mounting, wire or rod suspension, mounting on brackets and chain suspension

MOUNTING OPTIONS



MOUNTING OPTIONS WITH EQUIPMENT



TECHNICAL DATA

Housing:	Sheet steel, white (RAL 9003)	Service life $L_{80, B_{20}}$:	50.000 h
Display pane:	Methacrylate, printed	Color stability:	3 SDCM
Lens:	Methacrylate		

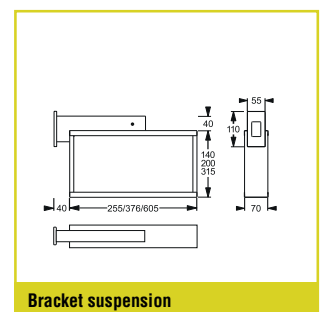
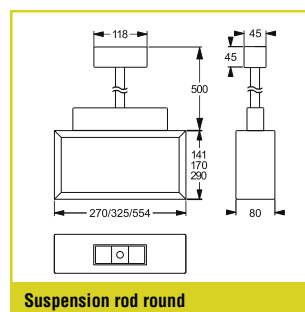
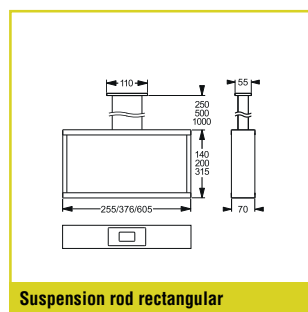
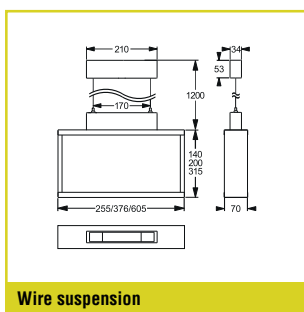
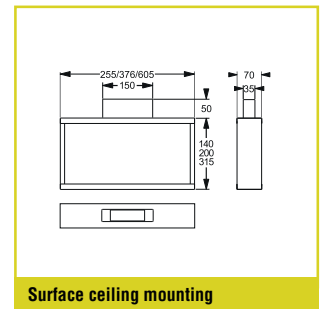
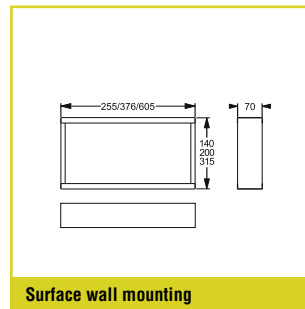
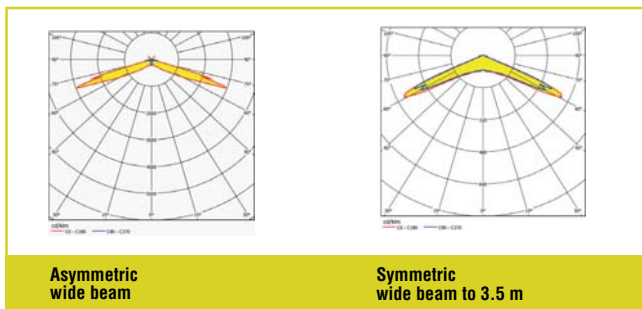
< 3,5 m >	H	VD 21 m	VD 34 m	VD 56 m	IP40
	22 m				

DECENTRAL SUPPLY

Battery supply: 24 V +/- 20% DC	Ambient temperature: -20 °C to +40 °C
Mains supply: 24 V +/- 20% DC	S24-Protection class: III

CENTRAL SUPPLY

Battery supply: 176 V-276 V	Ambient temperature: -20 °C to +40 °C
Mains supply: 198 V-254 V/50 Hz	Protection class: I



SICURO[®] DECENTRAL SUPPLY

Sicuro24 Order code				
-------------------------------	--	--	--	--

Surface wall mounting for single faced indication suitable for escape route lighting and area lighting with 2 changeable lenses

32105	34m	48	Escape route 261 lm	8.1 W
		+ 1	Area 285 lm	

Surface ceiling mounting for single faced indication suitable for escape route lighting and area lighting with 2 changeable lenses¹

32106	34m	48	Escape route 261 lm	8.1 W
		+ 1	Area 285 lm	

¹For surface mounting and all suspended versions please order required equipment separately

SICURO[®] CENTRAL SUPPLY

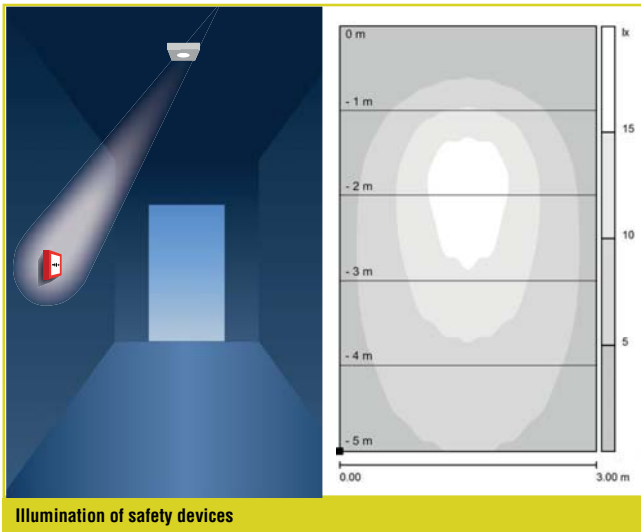
Sicuro230 Order code					
--------------------------------	--	--	--	--	--

Surface wall mounting for single faced indication suitable for escape route lighting and area lighting with 2 changeable lenses

31154	34m	48	Escape route 261 lm	17.7 VA / 8.8 W
		+ 1	Area 285 lm	

Surface ceiling mounting for single faced indication suitable for escape route lighting and area lighting with 2 changeable lenses¹

31155	34m	48	Escape route 261 lm	17.7 VA / 8.8 W
		+ 1	Area 285 lm	



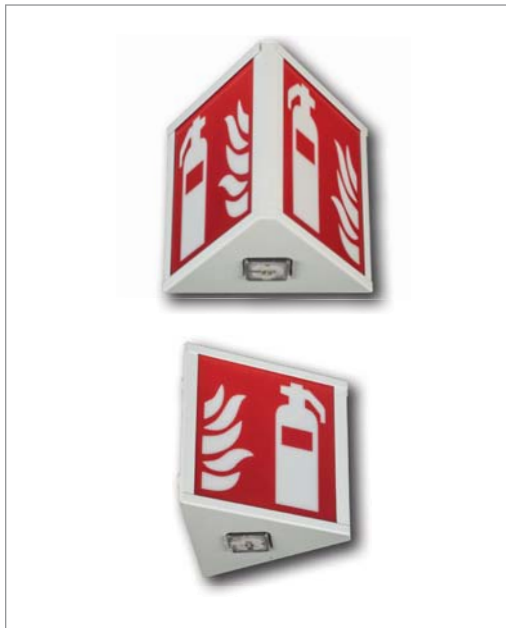
Illumination of safety devices

Rettungszeichen-Zubehör bitte separat bestellen

Order code	Description		
VD 21 m	VD 34 m	VD 56 m	
E16604M	E16608M	E16134M	Exit sign display pane
E16605M	E16609M	E16135M	Exit sign display pane
E16606M	E16610M	E16136M	Exit sign display pane
E16620M	E16640M		Exit sign display pane
E16622M	E16642M		Exit sign display pane
E16621M	E16641M		Exit sign display pane
E16623M	E16643M		Exit sign display pane
E16607	E16611	E16234	Opal plastic pane
E16242	E16241	E16251	Opal plastic pane, white

Zubehör bitte separat bestellen

Order code	Description		
VD 21 m	VD 34 m	VD 56 m	
F95057	F95057	F95057	Adaptor for ceiling mounting
F95600	F95600	F95600	Suspension rod, rectangular, 250 mm
F95601	F95601	F95601	Suspension rod, rectangular, 500 mm
F95602	F95602	F95602	Suspension rod, rectangular, 1.000 mm
F95400	F95400	F95400	Suspension rod, round, 500 mm
F95401	F95401	F95401	Wire suspension, max. 1.200 mm
F95055	F95056	F95070	Bracket suspension
F95067	F95067	F95067	Adaptor for chain or wire suspension
F95032K	F95032K	F95032K	Wire guard



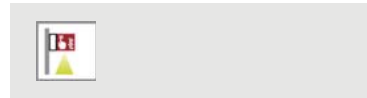
SIGN LED

Combined safety sign and safety luminaire. Housing made of flat sheet steel profiles with angular contours and a triangular design. Double-sided signage for safety devices is provided by exchangeable safety sign inserts.

Illumination of safety devices with 5 lx through high-power LED with lighting control through a special lens.

Version for wall mounting

MOUNTING OPTIONS



TECHNICAL DATA

Housing: Sheet steel, white (RAL 9003)
Display pane: Methacrylate, printed
Lens: Methacrylate

Service life $L_{80, B_{20}}$: 50.000 h
Color stability: 3 SDCM



DECENTRAL SUPPLY

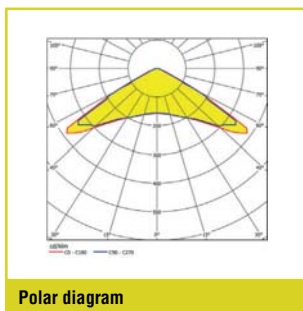
Battery supply:
24 V +/- 20% DC
Mains supply:
24 V +/- 20% DC

Ambient temperature:
-20 °C to +40 °C
Protection class:
III

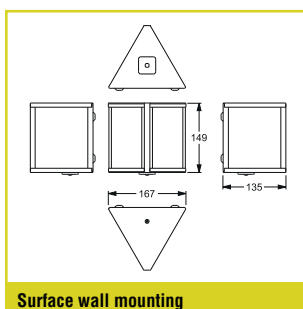
CENTRAL SUPPLY

Battery supply:
176 V–276 V
Mains supply:
198 V–254 V/50 Hz

Ambient temperature:
-20 °C to +40 °C
Protection class:
I



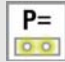


Polar diagram



Surface wall mounting

SICURO^{LED} DECENTRAL SUPPLY

Sicuro24 Order code			
	26 m	3	8.1 W

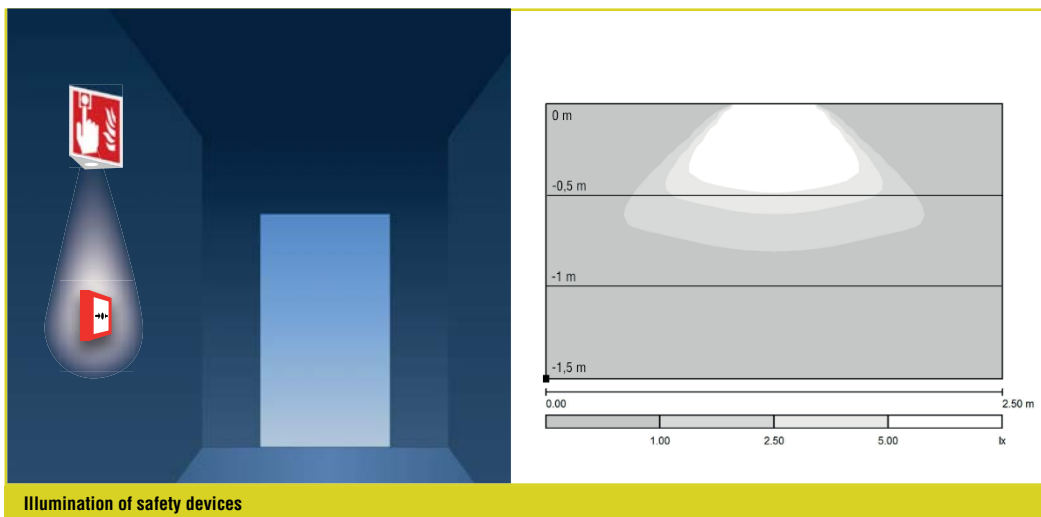
Surface wall mounting for illumination of safety devices

SICURO^{LED} CENTRAL SUPPLY







Sicuro230 Order code				
	26 m	3	17.2 VA / 8.6 W	

Surface wall mounting for illumination of safety devices

Lamps to illuminate the safety signs and the safety device separately programmable in permanent or standby mode.



Illumination of safety devices

Please order safety sign equipment separately		
Order code	Description	
E16914M		F001 Safety sign fire extinguisher
E16915M		F002 Safety sign extinguishing hose
E16913M		F005 Safety sign fire detector
E16910M		E003 Safety sign first aid
E16912M		E004 Safety sign first aid phone
E16911M		E007 Safety sign collective place



SCOUT LED

Safety luminaire used as portable LED lamp. Housing made of polycarbonate with adjustable lamp head (120°).

Lamp head with main LED and secondary LED with automatic flashing activation switch pushing button.

TECHNICAL DATA

Housing: Polycarbonate, orange (RAL 2009)
Frame: Polycarbonate, grey (RAL 7026)

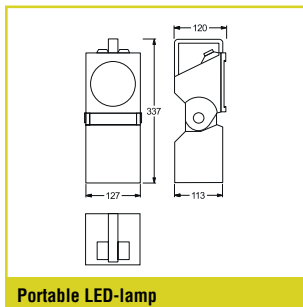
Service life $L_{80} B_{20}$: 50.000 h
Color stability: 3 SDCM

IP40

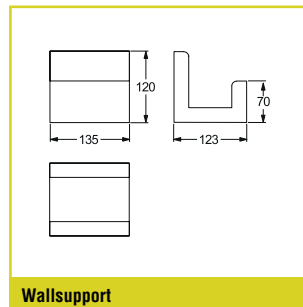
SELF-CONTAINED

Specification:
 Non-maintained mode
Mains supply:
 230 V / 50 / 60 Hz

Ambient temperature:
 0 °C to +40 °C
Protection class:
 II





Portable LED-lamp



Wall support

CLASSIC SELF-CONTAINED SUPPLY

Classic Order code				
8380	2	2.4 W ¹ 0.2 W ¹	230 lm (9.5 h) ¹ 23.5 lm (85 h) ²	Pb 6 V / 4.5 Ah

¹ Main LED

² Secondary LED

Please order additional equipment separately

Order code	Description
2750	Wall support

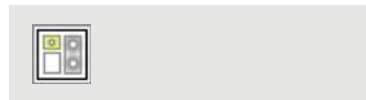


PLURALUCE-LEUCHTENMODUL

Conversion kit for general lighting fittings without amending the internal wiring. High-power-LED and integral reflector and special optical lens system. Asymmetrical light distribution (escape route lighting with 1 lx) or symmetrical light distribution (area lighting with 0.5 lx).

Version for luminaire installation

MOUNTING



TECHNICAL DATA

Housing:	Aluminium, white (RAL 9010)	Type of protection:	IP20 (electronic and battery component)
Cover:	Polycarbonate, white (RAL 9010)		IP40 (LED module)



SELF-CONTAINED SUPPLY

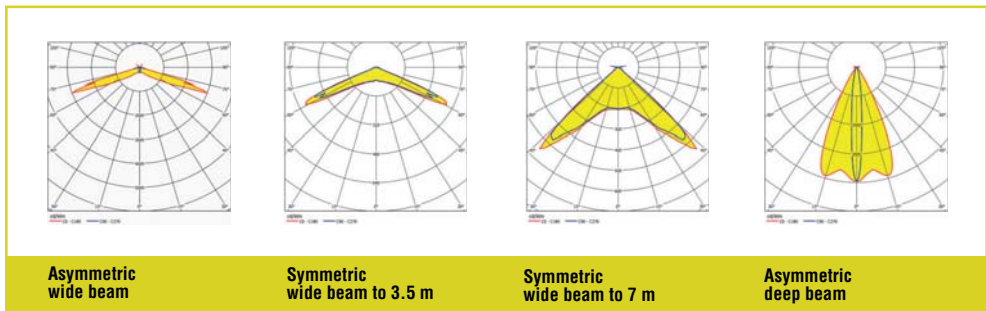
Mains supply: 198 V–254 V/50 Hz	Ambient temperature: LTO: -20 °C to +50 °C Classic: -10 °C to +40 °C
Specification: Maintained or non-maintained mode	Protection class: II

DECENTRAL SUPPLY

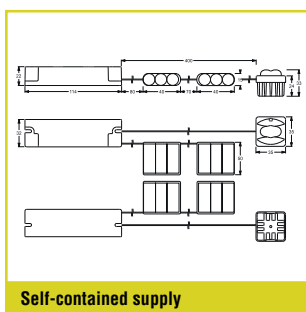
Battery supply: 24 V +/- 20% DC	Ambient temperature: -20 °C to +40 °C
Mains supply: 24 V +/- 20% DC	Protection class: III

CENTRAL SUPPLY

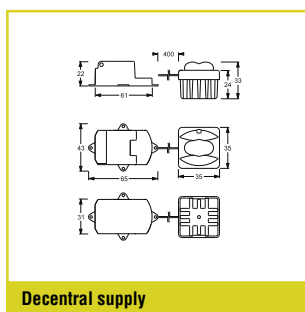
Battery supply: 176 V–254 V	Ambient temperature: -20 °C to +40 °C
Mains supply: 198 V–254 V/50 Hz	Protection class: II



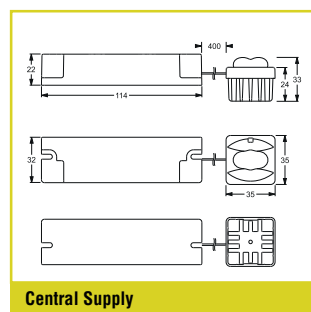
Asymmetric wide beam Symmetric wide beam to 3.5 m Symmetric wide beam to 7 m Asymmetric deep beam



Self-contained supply



Decentral supply



Central Supply



SELF-CONTAINED SUPPLY

Autotest Order code	Logica Order code	Logica FM Order code	LED	Φ 1h	Φ 3h	Φ 8h	Battery icon	S~
Illumination for escape routes and areas with 3 changeable lenses								
37087	37088	37089	1	Escape route 261 lm Area 255 / 285 lm	Escape route 176 lm Area 147 / 165 lm	Escape route 42 lm Area 41 / 42 lm	2 x LTO 7.2 V / 0.5 Ah	4.85 VA

CLASSIC SELF-CONTAINED SUPPLY

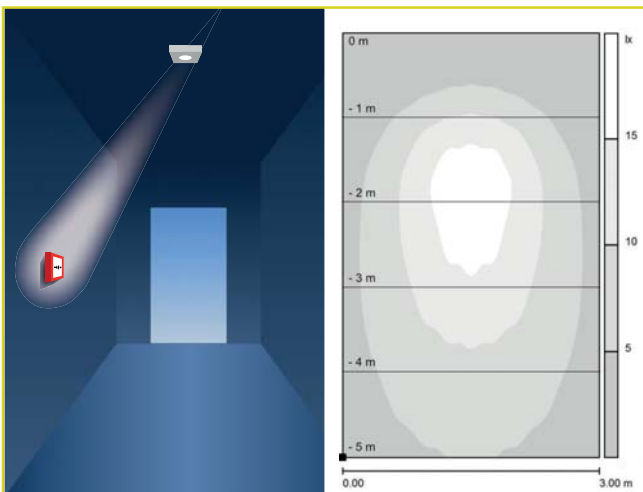
Autotest Order code	Logica Order code	Logica FM Order code	LED	Φ 1h	Φ 3h	Autotest Battery icon	Logica Battery icon	S~
Illumination for escape routes and areas with 3 changeable lenses								
16769	19342	19343	1	Escape route 261 lm Area 255 / 285 lm	Escape route 176 lm Area 172 / 192 lm	NiMH 7.2V / 1.2 Ah	NiMH 7.2V / 1.2 Ah	8 VA

SICURO^{LED} DECENTRAL SUPPLY

Sicuro24 Order code	LED	Φ	P=
Illumination for escape routes and areas with 3 changeable lenses			
32042	1	Escape route 261 lm Area 255 / 285 lm	3.8 W

SICURO^{LED} CENTRAL SUPPLY

Sicuro230 Order code	LED	Φ	S~	P=
Illumination for escape routes and areas with 3 changeable lenses				
31040	1	Escape route 261 lm Area 255 / 285 lm	8.3 VA / 4.5 W	



Illumination of safety devices

Please order additional equipment separately

Order code	Description
F95807	Deep beam lens (area lighting module) for escape route lighting with mounting heights > 7.5 m
F95808	Deep beam lens (area lighting module) for area lighting with mounting heights > 7.5 m
F95815	Asymmetrical lens (area lighting module) for illumination of the safety devices with 5 lx



INVERTER LED

Emergency lighting supply unit for operation of LED luminaire with LED module and LED driver with reduced performance in failure of power supply. The luminaire(s) can be connected without changing the internal wiring. Version with separately electronic- and battery module and separately signal LED.

Version for luminaire installation (without housing) and luminaire attachment (with housing)

MOUNTING OPTIONS



TECHNICAL DATA

Housing: Polycarbonate, white (RAL 9007) (luminaire installation)
Polycarbonate, grey (RAL 7035) (luminaire attachment)

Type of protection: IP20 (luminaire installation)
IP65 (luminaire attachment)



SELF-CONTAINED SUPPLY

Mains supply:
198 V–254 V/50 Hz

Specification:
Maintained or non-maintained mode

Protection class:
II

Ambient temperature:

Electronic:
-20 °C to +70 °C

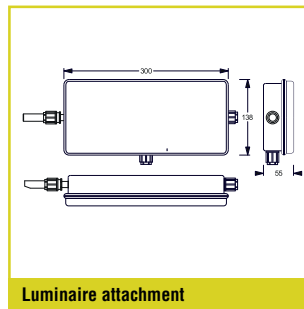
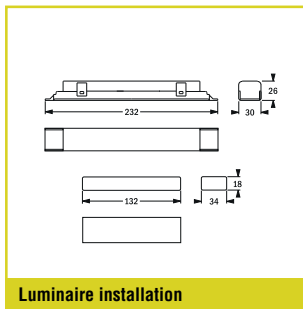
Battery:
LTO: -20 °C to +50 °C
LFP: -10 to +60 °C

LED MODULE SUPPLY

Power:
10 W (1h)
3.3 W (3h)
1.25 W (8h)







Voltage:
20 V to 55 V

Flux:
500 mA





SELF-CONTAINED SUPPLY

Autotest Order code	Logica Order code	Logica FM Order code						
Luminaire installation and luminaire attachment								
19390	19390	19390+19375	10 W (1h) / 3.3 W (3h) / 1.25 W (8h)	formula	formula	formula	LTO 14.4 V / 1.2 Ah LFP 12.8 V / 1.5 Ah	2 VA
19391	19391	19391+19375						

FORMULA FOR CALCULATION OF LUMINOUS FLUX SELF-CONTAINED SUPPLY

Operating time 1h

$$\text{Luminous flux} = \frac{\text{Power}_{1h}}{\text{Power}_{\text{LED module}}} \times \text{luminous flux}_{\text{LED module}}$$

Operating time 3h

$$\text{Luminous flux} = \frac{\text{Power}_{3h}}{\text{Power}_{\text{LED module}}} \times \text{luminous flux}_{\text{LED module}}$$

Operating time 8h

$$\text{Luminous flux} = \frac{\text{Power}_{8h}}{\text{Power}_{\text{LED module}}} \times \text{luminous flux}_{\text{LED module}}$$

Please order additional equipment separately

Order code	Description
RA07	Additional battery LTO 14.4 V / 1.2 Ah
RA08	Additional battery LFP 12.8 V / 1.5 Ah
19375	Logica FM module
19376	Kit for recessed mounting, IP65



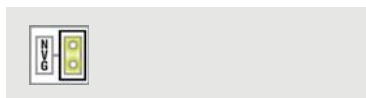
NVG

Emergency lighting supply unit for operation of 1 or 2 luminaires with LED module or low-pressure discharge lamp with electronic / magnetic operating unit. The luminaire(s) can be connected without changing the internal wiring. Version with separate electronics and battery housing. Luminaire(s) can be individually switched on/off during mains operation.

Distance supply unit ▶ luminaire < 500 m

Version for surface wall mounting

MOUNTING OPTIONS



TECHNICAL DATA

Housing: ANM, grey (RAL 7035)
Type of protection: IP32 (battery component)
 IP65 (electronic component)



SELF-CONTAINED SUPPLY

Mains supply:
198 V–254 V/50 Hz

Specification:
Maintained or
non-maintained mode

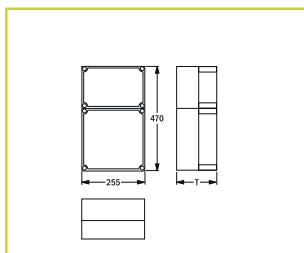
Protection class:
I

Ambient temperature:
Electronic:
0 °C to +40 °C
Battery:
0 °C to +20 °C

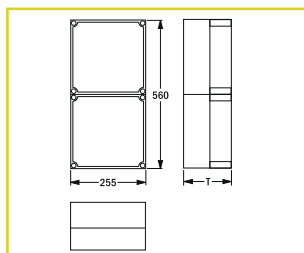
SUPPLY

Luminaire:
LED module + electronic operating unit
LED module + magnetic operating unit
Discharge lamp + electronic operating unit
Discharge lamp + magnetic operating unit

Power:
max. 1 x 120 W (1h / 3h)
max. 2 x 60 W (1h / 3h)







V90800L / V90800L-FM / V90801L /
V90801L-FM / V90802L / V90802L-FM



V90803L / V90803L-FM /
V90805L / V90805L-FM

Order code	Depth (T)
V90800L / V90800L-FM	130 mm
V90801L / V90801L-FM	130 mm
V90802L / V90802L-FM	180 mm
V90803L / V90803L-FM	180 mm
V90805L / V908035-FM	180 mm

CLASSIC SELF-CONTAINED SUPPLY

Autotest Order code	Logica Order code	Logica FM Order code	 	 Autotest / Logica / Logica FM	
V90800L	V90800L	V90800L-FM	table 1h / 3h	Pb 12 V / 6.5 Ah	³
V90801L	V90801L	V90801L-FM	table 1h / 3h	Pb 12 V / 13 Ah	³
V90802L	V90802L	V90802L-FM	table 1h / 3h	Pb 12 V / 28 Ah	³
V90803L	V90803L	V90803L-FM	table 1h / 3h	Pb 12 V / 40 Ah	³
V90805L	V90805L	V90805L-FM	table 1h / 3h	Pb 12 V / 55 Ah	³

Order code	Operating time	Luminaire with LED or discharge lamp and electronic operating unit ¹		Luminaire with LED or discharge lamp and magnetic operating unit ¹	
		Power consumption	Luminous flux factor	Power consumption	Luminous flux factor
V90800L V90800L-FM	1 h	1 x 20 W 2 x 10 W	max. 100 % ²	1 x 20 W 2 x 10 W	100 %
V90800L V90800L-FM	3 h				
V90801L V90801L-FM	1 h	1 x 60 W 2 x 30 W	max. 100 % ²	1 x 60 W 2 x 30 W	100 %
V90801L V90801L-FM	3 h	1 x 20 W 2 x 10 W	max. 100 % ²	1 x 20 W 2 x 10 W	100 %
V90802L V90802L-FM	1 h	1 x 100 W 2 x 50 W	max. 100 % ²	1 x 100 W 2 x 50 W	100 %
V90802L V90802L-FM	3 h	1 x 40 W 2 x 20 W	max. 100 % ²	1 x 40 W 2 x 20 W	100 %
V90803L V90803L-FM	1 h	1 x 120 W 2 x 60 W	max. 100 % ²	1 x 120 W 2 x 60 W	100 %
V90803L V90803L-FM	3 h	1 x 70 W 2 x 35 W	max. 100 % ²	1 x 70 W 2 x 35 W	100 %
V90805L V90805L-FM	1 h				
V90805L V90805L-FM	3 h	1 x 120 W 2 x 60 W	max. 100 % ²	1 x 120 W 2 x 60 W	100 %

¹ The electronic operating devices must be suitable for use in safety lighting according to DIN EN 50172. Operation of luminaires with dimmable electronic control gear (DALI) is possible on request. The maximum inrush current or maximum duty cycle must not exceed 60 A and 250 ms.

² Depending on the electronic operating device, also < 100%

³ Depending on affiliated luminous flux

ORDER CODES

2750	Page 95	16753	Page 57	19385	Page 29
3723	Page 49	16769	Page 97	19386	Page 29
3733	Page 51 / 77	16770	Page 29	19387	Page 29
4265	Page 51	16771	Page 29 / 31	19390	Page 99
4266	Page 51 / 77	16772	Page 29 / 31 / 55	19390+19375	Page 99
8380	Page 95	16773	Page 29 / 31	19391	Page 99
12187S	Page 75	16774	Page 29 / 31	19391+19375	Page 99
12187FMS	Page 75	16775	Page 29 / 31	20122	Page 43
12193	Page 75	16776	Page 29 / 31	29000	Page 45
12194	Page 73 / 75	16777	Page 29 / 31	29001	Page 49
12198	Page 75	16778	Page 29 / 31	29002	Page 49
15015	Page 71	16779	Page 29 / 31	31000	Page 33
15030	Page 43 / 69	16780	Page 29 / 31	31001	Page 33
15031	Page 43 / 69	16781	Page 29 / 31	31002	Page 33
15032	Page 69	16782	Page 29 / 31	31003	Page 33
15033	Page 69	16783	Page 29 / 31	31004	Page 39
15036	Page 73	16784	Page 29 / 31	31005	Page 39
15037	Page 73	16785	Page 29 / 31	31006	Page 39
16225	Page 51 / 77	16786	Page 29 / 31	31007	Page 39
16226	Page 51 / 77	16787	Page 29 / 31	31008	Page 39
16233	Page 51	16788	Page 31	31009	Page 39
16234	Page 51	16789	Page 31	31010	Page 65
16235	Page 51	17223	Page 26	31011	Page 37
16237	Page 51	19040	Page 45 / 73	31012	Page 37
16300	Page 25	19041	Page 45 / 73	31013	Page 37
16300-B	Page 25	19044	Page 45	31014	Page 37
16302	Page 26	19045	Page 45 / 73	31015	Page 37
16305	Page 25	19048	Page 45 / 73	31016	Page 37
16305-B	Page 25	19049	Page 45 / 73	31017	Page 63
16309	Page 25	19064	Page 43	31018	Page 49
16319	Page 26	19239	Page 45	31019	Page 49
16700	Page 29 / 31	19245	Page 45	31020	Page 41 / 67
16701	Page 29	19270	Page 45	31021	Page 41
16702	Page 29	19276	Page 45	31022	Page 41 / 67
16703	Page 29	19296	Page 45 / 73	31023	Page 41
16704	Page 29	19296-3H	Page 45 / 73	31024	Page 53
16705	Page 29	19296-8H	Page 45 / 73	31025	Page 47
16706	Page 29	19296+15036	Page 45 / 73	31026	Page 47
16707	Page 29	19296-3H+15036	Page 45 / 73	31027	Page 47
16708	Page 29	19296-8H+15036	Page 45 / 73	31028	Page 89
16709	Page 29	19296+15037	Page 45 / 73	31029	Page 47
16710	Page 29	19296-3H+15037	Page 45 / 73	31030	Page 89
16711	Page 29	19296-8H+15037	Page 45 / 73	31031	Page 83
16917M	Page 49	19270 + RA03	Page 73	31032	Page 29
16733	Page 55	19342	Page 97	31033	Page 29
16734	Page 55	19343	Page 97	31034	Page 29
16735	Page 55	19346	Page 55	31035	Page 29
16736	Page 55	19375	Page 99	31036	Page 55
16737	Page 55	19376	Page 99	31037	Page 55
16748	Page 57	19380	Page 29	31038	Page 57
16749	Page 57	19381	Page 29	31039	Page 57
16750	Page 57	19382	Page 29	31040	Page 97
16751	Page 57	19383	Page 29	31041	Page 59
16752	Page 57	19384	Page 29	31042	Page 59

31043	Page 59	31155	Page 91	32054	Page 61
31044	Page 59	32000	Page 33	32055	Page 43
31045	Page 59	32001	Page 33	32057	Page 85
31046	Page 59	32002	Page 33	32058	Page 85
31047	Page 59	32003	Page 33	32059	Page 79
31048	Page 59	32004	Page 39	32060	Page 79
31049	Page 61	32005	Page 39	32061	Page 79
31050	Page 61	32006	Page 39	32062	Page 79
31051	Page 61	32007	Page 39	32063	Page 79
31052	Page 61	32008	Page 39	32064	Page 79
31053	Page 69	32009	Page 39	32065	Page 81
31054	Page 43	32010	Page 65	32066	Page 81
31056	Page 85	32011	Page 37	32067	Page 81
31057	Page 85	32012	Page 37	32068	Page 81
31058	Page 79	32013	Page 37	32069	Page 51 / 77
31059	Page 79	32014	Page 37	32071	Page 87
31062	Page 79	32015	Page 37	32072	Page 87
31063	Page 79	32016	Page 37	32073	Page 87
31066	Page 79	32017	Page 63	32074	Page 93
31067	Page 79	32018	Page 49	32075	Page 31
31070	Page 79	32019	Page 49	32076	Page 31
31071	Page 79	32020	Page 41 / 67	32077	Page 31
31074	Page 79	32021	Page 41	32078	Page 31
31075	Page 79	32022	Page 41 / 67	32079	Page 31
31078	Page 79	32024	Page 53	32080	Page 31
31079	Page 79	32025	Page 47	32081	Page 31
31082	Page 81	32026	Page 47	32082	Page 31
31085	Page 81	32027	Page 47	32084	Page 71
31086	Page 81	32028	Page 89	32089	Page 75
31089	Page 81	32029	Page 47	32092	Page 69
31090	Page 81	32030	Page 89	32094	Page 45 / 73
31093	Page 81	32031	Page 83	32098	Page 35
31094	Page 81	32032	Page 29 / 41	32099	Page 35
31095	Page 81	32033	Page 29	32100	Page 35
31098	Page 55 / 77	32034	Page 29	32105	Page 91
31099	Page 75	32035	Page 29	32106	Page 91
31100	Page 87	32036	Page 55	36194	Page 31
31101	Page 87	32037	Page 55	36195	Page 31
31102	Page 87	32038	Page 57	36196	Page 31
31103	Page 93	32039	Page 57	36197	Page 31
31104	Page 31	32040	Page 57	36198	Page 31
31105	Page 31	32041	Page 57	36199	Page 31
31106	Page 31	32042	Page 97	36188	Page 31
31107	Page 31	32043	Page 59	36189	Page 31
31108	Page 31	32044	Page 59	36190	Page 31
31109	Page 31	32045	Page 59	36191	Page 31
31110	Page 31	32046	Page 59	36192	Page 31
31111	Page 31	32047	Page 59	36193	Page 31
31114	Page 71	32048	Page 59	36182	Page 31
31124	Page 45 / 73	32049	Page 59	36183	Page 31
31151	Page 35	32050	Page 59	36184	Page 31
31152	Page 35	32051	Page 61	36185	Page 31
31153	Page 35	32052	Page 61	36186	Page 31
31154	Page 91	32053	Page 61	36187	Page 31

ORDER CODES

36176	Page 31	36015	Page 39	36114	Page 61
36177	Page 31	36016	Page 39	36115	Page 61
36178	Page 31	36017	Page 39	36116	Page 61
36176	Page 31	36018	Page 39	36120	Page 61
36177	Page 31	36019	Page 39	36121	Page 61
36178	Page 31	36020	Page 39	36122	Page 61
36179	Page 31	36021	Page 39	36111	Page 61
36180	Page 31	36022	Page 39	36112	Page 61
36181	Page 31	36023	Page 39	36113	Page 61
36000	Page 33	36024	Page 39	36117	Page 61
36001	Page 33	36025	Page 39	36118	Page 61
36002	Page 33	36026	Page 39	36119	Page 61
36006	Page 33	36027	Page 39	36051	Page 63
36007	Page 33	36028	Page 39	36052	Page 63
36008	Page 33	36029	Page 39	36053	Page 63
36006	Page 33	36060	Page 41	36030	Page 65
36004	Page 33	36061	Page 41	36031	Page 65
36005	Page 33	36062	Page 41	36032	Page 65
36009	Page 33	36066	Page 41	36060	Page 67
36010	Page 33	36067	Page 41	36061	Page 67
36011	Page 33	36068	Page 41	36062	Page 67
36238	Page 35	36072	Page 41	36072	Page 67
36239	Page 35	36073	Page 41	36073	Page 67
36240	Page 35	36074	Page 41	36074	Page 67
36241	Page 35	36078	Page 41	36138	Page 79
36242	Page 35	36073	Page 41	36139	Page 79
36243	Page 35	36074	Page 41	36140	Page 79
36244	Page 35	36078	Page 41	36144	Page 79
36245	Page 35	36079	Page 41	36145	Page 79
36246	Page 35	36080	Page 41	36146	Page 79
36033	Page 37	36054	Page 49	36150	Page 79
36034	Page 37	36055	Page 49	36151	Page 79
36035	Page 37	36056	Page 49	36152	Page 79
36036	Page 37	36057	Page 49	36135	Page 79
36037	Page 37	36058	Page 49	36136	Page 79
36038	Page 37	36059	Page 49	36137	Page 79
36039	Page 37	36084	Page 53	36141	Page 79
36040	Page 37	36085	Page 53	36142	Page 79
36041	Page 37	36086	Page 53	36143	Page 79
36042	Page 37	36090	Page 59	36147	Page 79
36043	Page 37	36091	Page 59	36148	Page 79
36044	Page 37	36092	Page 59	36149	Page 79
36045	Page 37	36096	Page 59	36156	Page 81
36046	Page 37	36097	Page 59	36157	Page 81
36047	Page 37	36098	Page 59	36158	Page 81
36045	Page 37	36087	Page 59	36162	Page 81
36046	Page 37	36088	Page 59	36163	Page 81
36047	Page 37	36089	Page 59	36164	Page 81
36048	Page 37	36087	Page 59	36153	Page 81
36049	Page 37	36088	Page 59	36154	Page 81
36050	Page 37	36089	Page 59	36155	Page 81
36012	Page 39	36093	Page 59	36159	Page 81
36013	Page 39	36094	Page 59	36160	Page 81
36014	Page 39	36095	Page 59	36161	Page 81

36123	Page 85	37048	Page 37	37105	Page 79
36124	Page 85	37049	Page 37	37106	Page 79
36125	Page 85	37050	Page 37	37107	Page 79
36129	Page 85	37051	Page 63	37108	Page 79
36130	Page 85	37052	Page 63	37109	Page 79
36131	Page 85	37053	Page 63	37110	Page 79
37000	Page 33	37054	Page 49	37111	Page 79
37001	Page 33	37055	Page 49	37112	Page 79
37002	Page 33	37056	Page 49	37113	Page 79
37003	Page 33	37057	Page 49	37114	Page 79
37004	Page 33	37058	Page 49	37115	Page 79
37005	Page 33	37059	Page 49	37116	Page 79
37006	Page 33	37060	Page 41 / 67	37117	Page 79
37007	Page 33	37061	Page 41 / 67	37118	Page 79
37008	Page 33	37062	Page 41 / 67	37119	Page 79
37009	Page 33	37063	Page 41	37120	Page 81
37010	Page 33	37064	Page 41	37121	Page 81
37011	Page 33	37065	Page 41	37122	Page 81
37012	Page 39	37066	Page 41 / 67	37123	Page 81
37013	Page 39	37067	Page 41 / 67	37124	Page 81
37014	Page 39	37068	Page 41 / 67	37125	Page 81
37015	Page 39	37069	Page 41	37126	Page 81
37016	Page 39	37070	Page 41	37127	Page 81
37017	Page 39	37071	Page 41	37128	Page 81
37018	Page 39	37072	Page 53	37129	Page 81
37019	Page 39	37073	Page 53	37130	Page 81
37020	Page 39	37074	Page 53	37131	Page 81
37021	Page 39	37075	Page 55	37132	Page 31
37022	Page 39	37076	Page 55	37133	Page 31
37023	Page 39	37077	Page 55	37134	Page 31
37024	Page 39	37078	Page 55	37135	Page 31
37025	Page 39	37079	Page 55	37136	Page 31
37026	Page 39	37080	Page 55	37137	Page 31
37027	Page 39	37081	Page 57	37139	Page 31
37028	Page 39	37082	Page 57	37140	Page 31
37029	Page 39	37083	Page 57	37141	Page 31
37030	Page 65	37084	Page 57	37142	Page 31
37031	Page 65	37085	Page 57	37143	Page 31
37032	Page 65	37086	Page 57	37144	Page 31
37033	Page 37	37087	Page 97	37145	Page 31
37034	Page 37	37088	Page 97	37146	Page 31
37035	Page 37	37089	Page 97	37147	Page 31
37036	Page 37	37090	Page 43 / 69	37148	Page 31
37037	Page 37	37091	Page 43 / 69	37149	Page 31
37038	Page 37	37092	Page 43 / 69	37150	Page 31
37039	Page 37	37096	Page 85	37151	Page 31
37040	Page 37	37097	Page 85	37152	Page 31
37041	Page 37	37098	Page 85	37153	Page 31
37042	Page 37	37099	Page 85	37154	Page 31
37043	Page 37	37100	Page 85	37155	Page 31
37044	Page 37	37101	Page 85	37183	Page 59
37045	Page 37	37102	Page 79	37184	Page 59
37046	Page 37	37103	Page 79	37185	Page 59
37047	Page 37	37104	Page 79	37186	Page 59

37187	Page 59	E16502M	Page 35	E16915M	Page 93
37188	Page 59	E16604M	Page 39 / 91	F15325M	Page 53
37189	Page 59	E16605M	Page 39 / 91	F15326M	Page 53
37190	Page 59	E16606M	Page 39 / 91	F15327M	Page 53
37191	Page 59	E16607	Page 39 / 91	F15328M	Page 53
37192	Page 59	E16608M	Page 39 / 91	F15329M	Page 53
37193	Page 59	E16609M	Page 39 / 91	F15330M	Page 53
37194	Page 59	E16610M	Page 39 / 91	F15331M	Page 53
37207	Page 61	E16611	Page 39 / 91	F15332M	Page 53
37208	Page 61	E16620M	Page 39 / 91	F15337MU	Page 47 / 89
37209	Page 61	E16621M	Page 39 / 91	F15337MR	Page 47 / 89
37210	Page 61	E16622M	Page 39 / 91	F15337ML	Page 47 / 89
37211	Page 61	E16623M	Page 39 / 91	F15337MO	Page 47 / 89
37212	Page 61	E16640M	Page 39 / 91	F15338MU	Page 47 / 89
37214	Page 61	E16642M	Page 39 / 91	F15338MR	Page 47 / 89
37215	Page 61	E16641M	Page 39 / 91	F15338ML	Page 47 / 89
37216	Page 61	E16643M	Page 39 / 91	F15338MO	Page 47 / 89
37217	Page 61	E16645M	Page 39	F90300	Page 25
37218	Page 61	E16646M	Page 39	F95032K	Page 39 / 49 / 65 / 91
37219	Page 87	E16647M	Page 39	F95055	Page 39 / 91
37220	Page 87	E16648M	Page 39	F95056	Page 39 / 91
37221	Page 87	E16700M	Page 41	F95057	Page 39 / 45 / 91
37222	Page 87	E16701M	Page 41	F95067	Page 39 / 45 / 91
37223	Page 87	E16710M	Page 37	F95070	Page 39 / 91
37224	Page 87	E16711M	Page 37	F95109PK	Page 47 / 89
E16040M-KIT-F65	Page 45	E16712M	Page 37	F95109PR	Page 47 / 89
E16041M-KIT-F65	Page 45	E16713	Page 37	F95109PS	Page 47 / 89
E16042M-KIT-F65	Page 45	E16714	Page 37	F95109P	Page 47 / 89
E16043M-KIT-F65	Page 45	E16715M	Page 37	F95198	Page 35
E16045M-KIT-F65	Page 45	E16716M	Page 37	F95199	Page 35
E16129M	Page 33	E16717M	Page 37	F95210	Page 53
E16132M	Page 33	E16718	Page 37	F95400	Page 39 / 53 / 91
E16134M	Page 39 / 91	E16719	Page 37	F95401	Page 39 / 91
E16135M	Page 39 / 91	E16720M	Page 37	F95406	Page 53
E16136M	Page 39 / 91	E16721M	Page 37	F95510	Page 49
E16241	Page 39 / 91	E16722M	Page 37	F95511	Page 49
E16242	Page 39 / 91	E16723	Page 37	F95512	Page 49
E16251	Page 39 / 91	E16724	Page 37	F95600	Page 39 / 45 / 53 / 91
E16260M	Page 33	E16725M	Page 37	F95601	Page 39 / 45 / 53 / 91
E16261M	Page 33	E16726M	Page 37	F95602	Page 39 / 45 / 53 / 91
E16263M	Page 33	E16727M	Page 37	F95603	Page 41
E16310M	Page 33	E16728M	Page 37	F95604	Page 41
E16311M	Page 33	E16729M	Page 37	F95605	Page 41
E16318M	Page 33	E16730M	Page 37	F95606	Page 41
E16319M	Page 33	E16731M	Page 37	F95607	Page 41 / 67
E16328M	Page 33	E16733M	Page 37	F95608	Page 41
E16435	Page 33	E16734M	Page 37	F95609	Page 41
E16436	Page 33	E16735M	Page 37	F95610	Page 41
E16437	Page 33	E16736M	Page 37	F95611	Page 41
E16442	Page 37	E16910M	Page 93	F95612	Page 41
E16443	Page 37	E16911M	Page 93	F95613	Page 41
E16444	Page 37	E16912M	Page 93	F95700	Page 49
E16500M	Page 35	E16913M	Page 93	F95714	Page 37
E16501M	Page 35	E16914M	Page 93	F95717	Page 37

F95718	Page 37	RA08	Page 99
F95719	Page 37	R2436SA	Page 45
F95720	Page 37	SWB16311	Page 27
F95721	Page 37	V90800L	Page 101
F95722	Page 37	V90800L-FM	Page 101
F95723	Page 37	V90801L	Page 101
F95724	Page 37 / 63	V90801L-FM	Page 101
F95729	Page 37	V90802L	Page 101
F95803	Page 55 / 57	V90802L-FM	Page 101
F95804	Page 55 / 57	V90803L	Page 101
F95806-RAL9003	Page 59	V90803L-FM	Page 101
F95806-INOX	Page 59	V90805L	Page 101
F95807	Page 55 / 57 / 97	V90805L-FM	Page 101
F95808	Page 55 / 57 / 97		
F95811	Page 55 / 57		
F95812	Page 55 / 57		
F95813	Page 57		
F95814	Page 57		
F95815	Page 55 / 57 / 97		
F95900	Page 35		
F95901	Page 35		
F95902	Page 35		
F95903	Page 35		
F95904	Page 35		
F95905	Page 35		
F95906	Page 35		
F95914	Page 35		
F95915	Page 35		
F95917	Page 35		
F95940	Page 85		
F95941	Page 85		
F95942	Page 45 / 73		
F95943	Page 45 / 73		
F95944	Page 31		
F95945	Page 33		
F95946	Page 33		
F95947	Page 33		
F95948	Page 33		
F95949	Page 33		
F95950	Page 33		
F95951	Page 33		
F95952	Page 33		
F95953	Page 33		
F95954	Page 33		
F95955	Page 33		
F95956	Page 33		
F95957	Page 33		
F95958	Page 33		
F95959	Page 33		
F95960	Page 33		
F95961	Page 45		
G31305	Page 26		
RA03	Page 73		
RA07	Page 99		

	Exit sign luminaire surface wall mounting		Explosion protected		Wireless function
	Exit sign luminaire recessed wall		Stable against chemical stress		
	Exit sign luminaire surface ceiling mounting		Color temperature		
	Exit sign luminaire recessed ceiling mounting		Color reproduction		
	Exit sign luminaire wire suspension		Type of battery / battery capacity		
	Exit sign luminaire suspension rod (round)		Number of LEDs		
	Exit sign luminaire suspension rod (rectangular)		LED light performance		
	Exit sign luminaire bracket suspension		LED light performance DC		
	Safety luminaire for escape route lighting		LED light performance AC		
	Safety luminaire surface wall mounting		LED light luminous flux		
	Safety luminaire recessed wall mounting		Luminous flux		
	Safety luminaire recessed step mounting		LED lamp power		
	Safety luminaire surface ceiling mounting		LED lamp luminous		
	Safety luminaire recessed ceiling mounting		Degree of protection IP		
	Safety luminaire surface ceiling mounting (asymmetric)		Impact resistance		
	Safety luminaire wire suspension		Stainless steel		
	Combined exit sign and safety luminaire surface wall mounting		Electronic operating unit		
	Combined exit sign and safety luminaire recessed wall mounting		Conventional operating unit		
	Combined exit sign and safety luminaire wire suspension		T5 lamp		
	Combined exit sign and safety luminaire suspension rod		T8 lamp		
	Combined exit sign and emergency luminaire suspension rod (rectangular)		TC-L lamp		
	Combined exit sign and emergency luminaire bracket suspension		Operating time 1 h / 3 h / 8 h		
	Exit sign luminaire Erkennungsweite		External emergency lighting module		
	Safety luminaire light distance		Internal emergency lighting module		
	Stable against UV		Lighting module		

Disclaimer

Beghelli PRÄZISA GmbH is constantly developing and improving the product range. All descriptions, illustrations, drawings and specifications present only general particulars and shall not form part of any contract. The right is reserved to change specifications without prior notification or public announcement.

Publication date: August 2019



Beghelli PRÄZISA GmbH

Lanterstraße 34 / D-46539 Dinslaken

Fon +49 (0)2064 9701 - 0

Fax +49 (0)2064 9701 - 99

www.beghelli.de / info@beghelli.de